

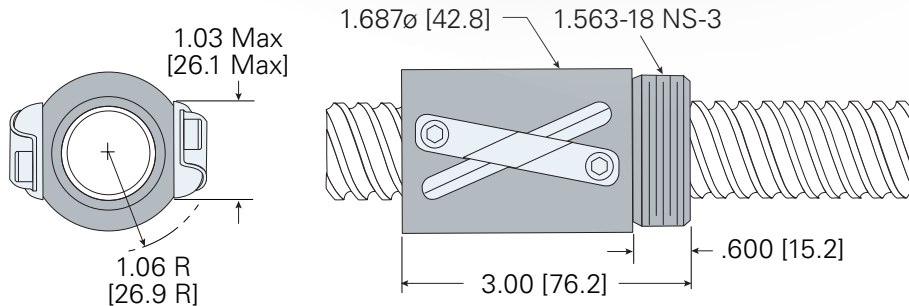
Precision Rolled Ball Screws

Double Circuit Ball Nut (Alloy Steel)

1.000" diameter × 1.000" lead



- Ball Nut Part Number: **HBN1102**
- Helix: **RH**
- Dynamic Load: **2,148 lb**
- Static Load: **11,931 lb**
- Balls per Circuit/Nut: **50/100**
- Nominal Ball Diameter: **.156"**
- Torque to Raise 1 lb: **0.177 in/lb**
- Nut Weight: **1.12 lb**

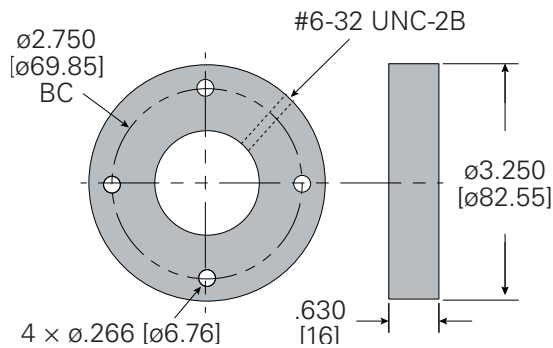


Ball Screw <i>four start</i>	
Ball Screw Part Number:	0024
Ball Circle Diameter:	1.000"
Lead:	1.000"
Root Diameter:	.820"
Screw Weight:	2.22 (lb/ft)

Standard Screw Lengths <i>Custom cut lengths available up to 12'</i>			
Length	Part Number	Length	Part Number
2'	CLB1124	8'	CLB1196
4'	CLB1148	12'	CLB811144
6'	CLB1172		

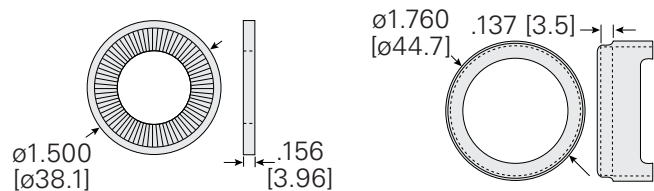
Flange

RFL1000 (alloy)



Wiper Kit

(two wipers, one retainer)
BWS100



Contact a Helix sales engineer:

sales@helixlinear.com
216-485-2232