

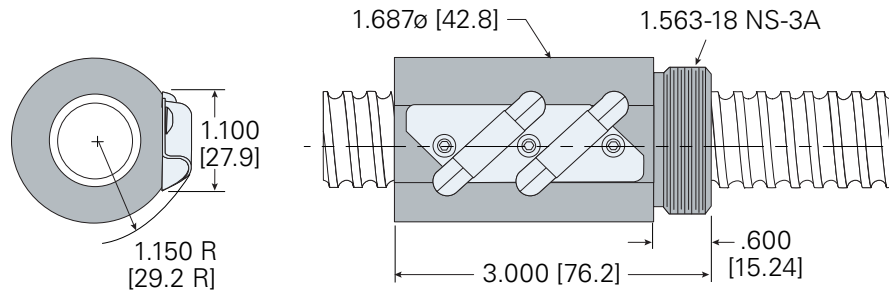
Precision Rolled Ball Screws

Double Circuit Ball Nut (Alloy Steel)



1.000" diameter x .250" lead

Ball Nut Part Number: **HBN1002**
 Helix: **RH**
 Dynamic Load: **3,226 lb**
 Static Load: **27,828 lb**
 Balls per Circuit/Nut: **86/172**
 Nominal Ball Diameter: **.156"**
 Torque to Raise 1 lb: **0.044 in/lb**
 Nut Weight: **0.80 lb**

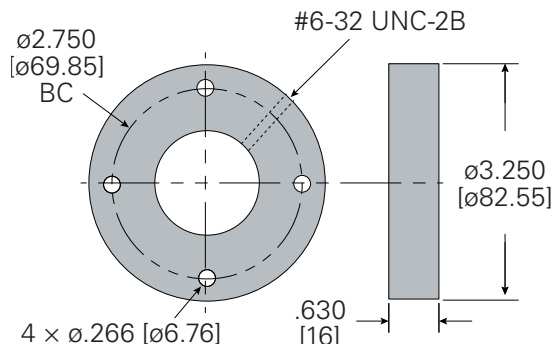


Ball Screw	
<i>single start</i>	
Ball Screw Part Number:	0022
Ball Circle Diameter:	1.000"
Lead:	.250"
Root Diameter:	.820"
Screw Weight:	1.22 (lb/ft)

Standard Screw Lengths			
<i>Custom cut lengths available up to 12'</i>			
Length	Part Number	Length	Part Number
2'	CLB1024	8'	CLB1096
4'	CLB1048	12'	CLB10144
6'	CLB1072		

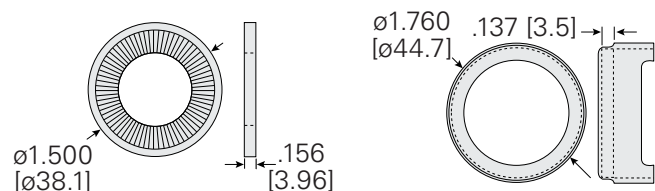
Flange

RFL1000 (alloy)



Wiper Kit

(two wipers, one retainer)
BWS100



Contact a Helix sales engineer:
sales@helixlinear.com
 216-485-2232