

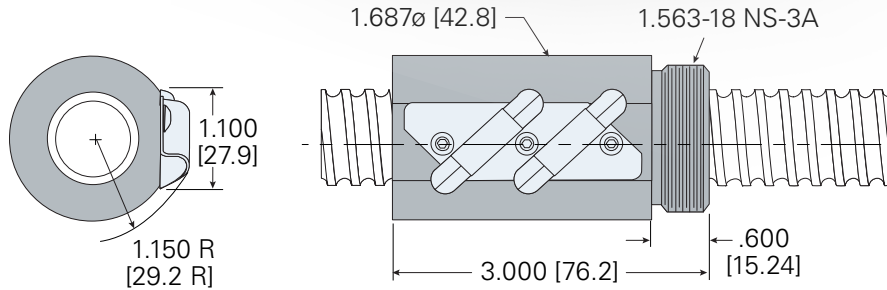
# Precision Rolled Ball Screws

## Double Circuit Ball Nut (Alloy Steel)



1.000" diameter x .250" lead

- Ball Nut Part Number: **HBN1002**
- Helix: **RH**
- Dynamic Load: **3,226 lb**
- Static Load: **27,828 lb**
- Balls per Circuit/Nut: **86/172**
- Nominal Ball Diameter: **.156"**
- Torque to Raise 1 lb: **0.044 in/lb**
- Nut Weight: **0.80 lb**

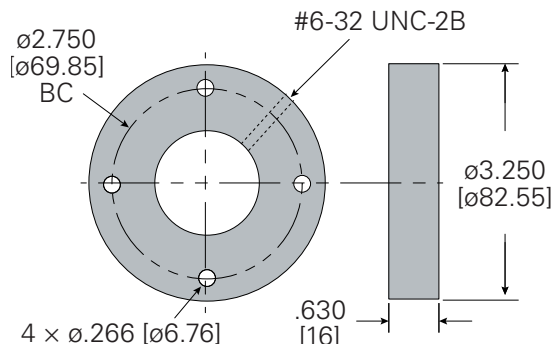


Ball Screw	
<i>single start</i>	
Ball Screw Part Number:	<b>0022</b>
Ball Circle Diameter:	<b>1.000"</b>
Lead:	<b>.250"</b>
Root Diameter:	<b>.820"</b>
Screw Weight:	<b>1.22 (lb/ft)</b>

Standard Screw Lengths			
<i>Custom cut lengths available up to 12'</i>			
Length	Part Number	Length	Part Number
2'	<b>CLB1024</b>	8'	<b>CLB1096</b>
4'	<b>CLB1048</b>	12'	<b>CLB10144</b>
6'	<b>CLB1072</b>		

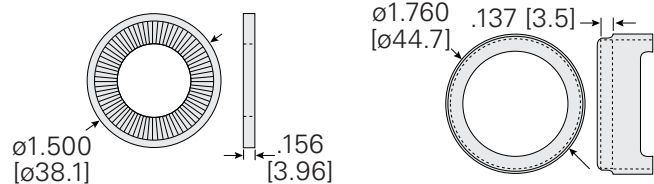
### Flange

RFL1000 (alloy)



### Wiper Kit

(two wipers, one retainer)  
BWS100



Contact a Helix sales engineer:  
sales@helixlinear.com  
216-485-2232