

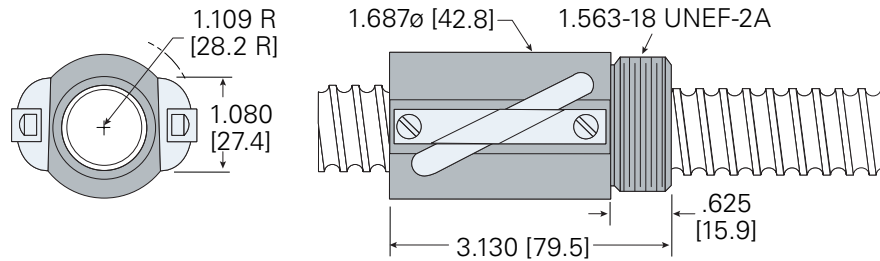
Precision Rolled Ball Screws

Double Circuit Ball Nut (Alloy Steel)



1.000" diameter x .500" lead

- Ball Nut Part Number: **HBN1054**
- Helix: **RH**
- Dynamic Load: **3,443 lb**
- Static Load: **25,260 lb**
- Balls per Circuit/Nut: **86/172**
- Nominal Ball Diameter: **.156"**
- Torque to Raise 1 lb: **0.088 in/lb**
- Nut Weight: **1.2 lb**

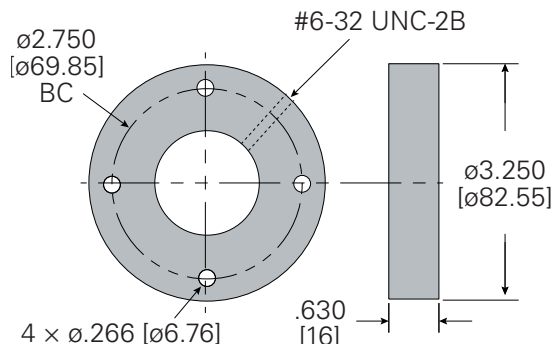


Ball Screw <i>double start</i>	
Ball Screw Part Number:	0023
Ball Circle Diameter:	1.000"
Lead:	.500"
Root Diameter:	.820"
Screw Weight:	2.22 (lb/ft)

Standard Screw Lengths <i>Custom cut lengths available up to 12'</i>			
Length	Part Number	Length	Part Number
2'	CLB1524	8'	CLB1596
4'	CLB1548	12'	CLB815144
6'	CLB1572		

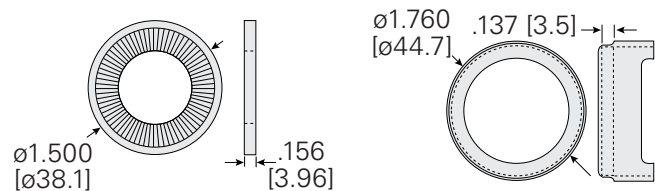
Flange

RFL1000 (alloy)



Wiper Kit

(two wipers, one retainer)
BWS100



Contact a Helix sales engineer:
sales@helixlinear.com
216-485-2232