

Precision Rolled Ball Screws

Double Circuit Ball Nut (Alloy Steel)

1.000" diameter x .500" lead



Ball Nut Part Number: **HBN1054**

Helix: **RH**

Dynamic Load: **3,443 lb**

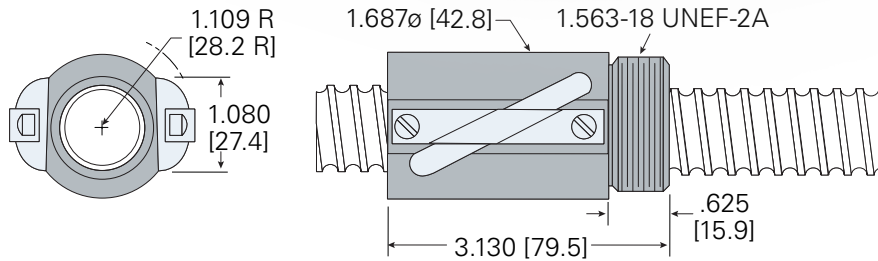
Static Load: **25,260 lb**

Balls per Circuit/Nut: **86/172**

Nominal Ball Diameter: **.156"**

Torque to Raise 1 lb: **0.088 in/lb**

Nut Weight: **1.2 lb**

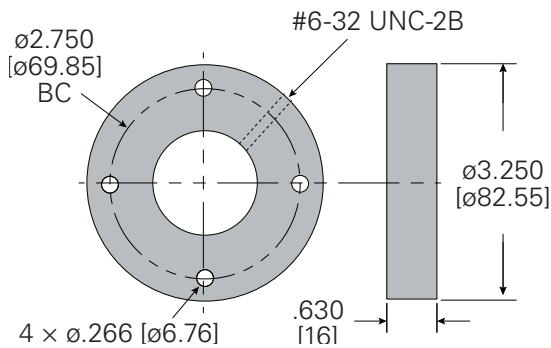


Ball Screw <i>double start</i>	
Ball Screw Part Number:	0023
Ball Circle Diameter:	1.000"
Lead:	.500"
Root Diameter:	.820"
Screw Weight:	2.22 (lb/ft)

Standard Screw Lengths <i>Custom cut lengths available up to 12'</i>			
Length	Part Number	Length	Part Number
2'	CLB1524	8'	CLB1596
4'	CLB1548	12'	CLB815144
6'	CLB1572		

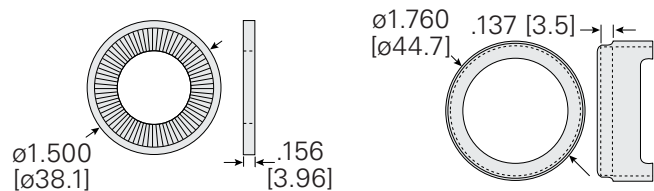
Flange

RFL1000 (alloy)



Wiper Kit

(two wipers, one retainer)
BWS100



Contact a Helix sales engineer:

sales@helixlinear.com

216-485-2232

helixlinear.com