

Precision Rolled Ball Screws

Double Circuit Ball Nut (Alloy Steel)



.375" diameter x .125" lead

Ball Nut Part Number: **HBN3752**

Helix: **RH**

Dynamic Load: **273 lb**

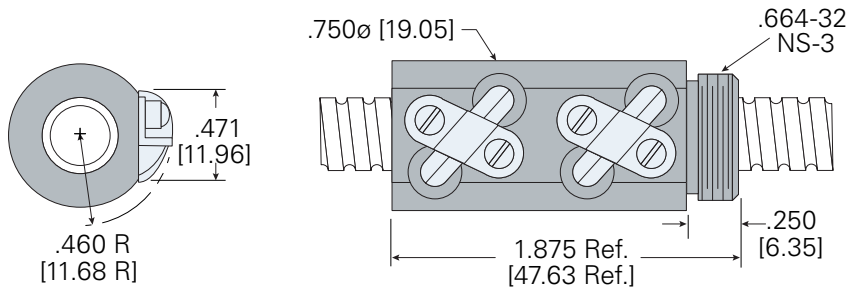
Static Load: **2,830 lb**

Balls per Circuit/Nut: **60/120**

Nominal Ball Diameter: **.063"**

Torque to Raise 1 lb: **0.022 in/lb**

Nut Weight: **0.21 lb**

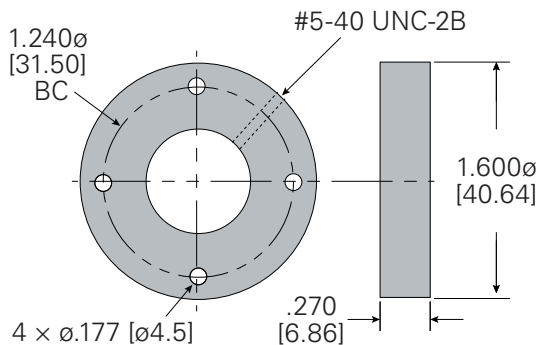


Ball Screw	
<i>single start</i>	
Ball Screw Part Number:	0012
Ball Circle Diameter:	.375"
Lead:	.125"
Root Diameter:	.300"
Screw Weight:	0.5 (lb/ft)

Standard Screw Lengths	
<i>Custom cut lengths available up to 12'</i>	
Length	Part Number
2'	CLB3724
4'	CLB3748
6'	CLB3772

Flange

RFL3750 (alloy)



Contact a Helix sales engineer:

sales@helixlinear.com

216-485-2232

helixlinear.com