

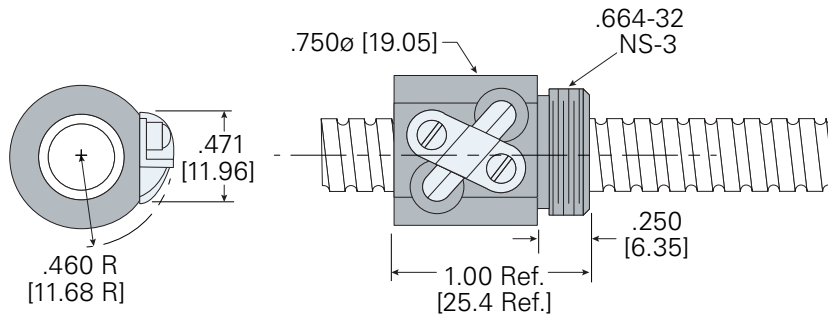
Precision Rolled Ball Screws

Single Circuit Ball Nut (Stainless Steel)



.375" diameter x .125" lead

Ball Nut Part Number: **HBN3753**
 Helix: **RH**
 Dynamic Load: **25 lb**
 Static Load: **25 lb**
 Balls per Circuit/Nut: **60/60**
 Nominal Ball Diameter: **.063"**
 Torque to Raise 1 lb: **0.022 in/lb**
 Nut Weight: **0.12 lb**

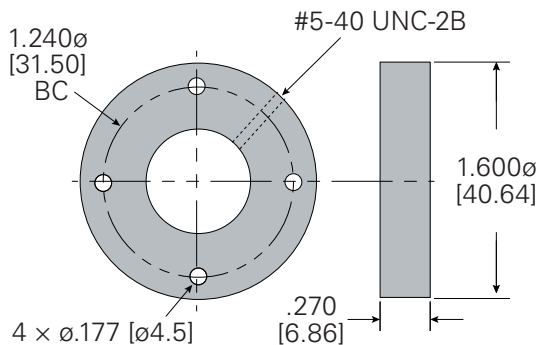


Ball Screw <i>single start</i>	
Ball Screw Part Number:	0012
Ball Circle Diameter:	.375"
Lead:	.125"
Root Diameter:	.300"
Screw Weight:	0.5 (lb/ft)

Standard Screw Lengths <i>Custom cut lengths available up to 12'</i>	
Length	Part Number
2'	CLB3824
4'	CLB3848
6'	CLB3872

Flange

RFL3750SS (stainless)



Contact a Helix sales engineer:
sales@helixlinear.com
 216-485-2232