

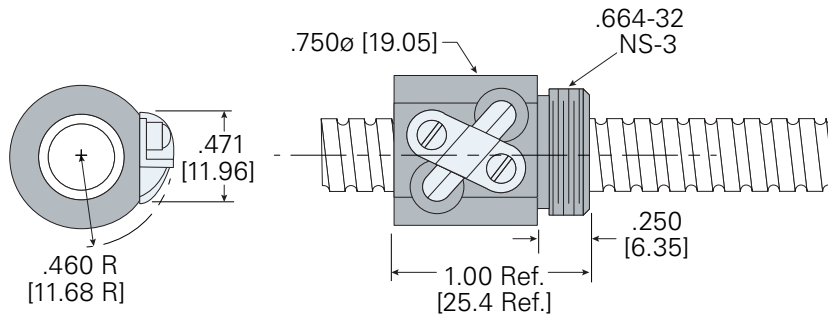
# Precision Rolled Ball Screws

## Single Circuit Ball Nut (Stainless Steel)

.375" diameter x .125" lead



Ball Nut Part Number: **HBN3753**  
 Helix: **RH**  
 Dynamic Load: **25 lb**  
 Static Load: **25 lb**  
 Balls per Circuit/Nut: **60/60**  
 Nominal Ball Diameter: **.063"**  
 Torque to Raise 1 lb: **0.022 in/lb**  
 Nut Weight: **0.12 lb**

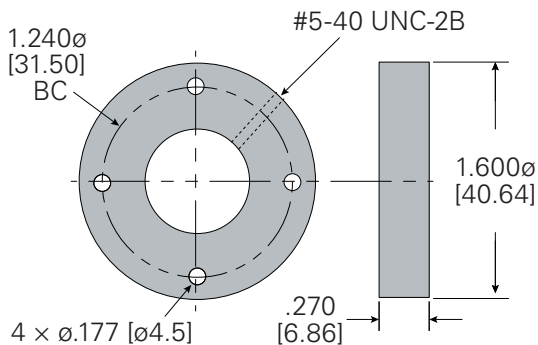


Ball Screw <i>single start</i>	
Ball Screw Part Number:	<b>0012</b>
Ball Circle Diameter:	<b>.375"</b>
Lead:	<b>.125"</b>
Root Diameter:	<b>.300"</b>
Screw Weight:	<b>0.5 (lb/ft)</b>

Standard Screw Lengths <i>Custom cut lengths available up to 12'</i>	
Length	Part Number
2'	<b>CLB3824</b>
4'	<b>CLB3848</b>
6'	<b>CLB3872</b>

### Flange

RFL3750SS (stainless)



Contact a Helix sales engineer:  
[sales@helixlinear.com](mailto:sales@helixlinear.com)  
 216-485-2232