

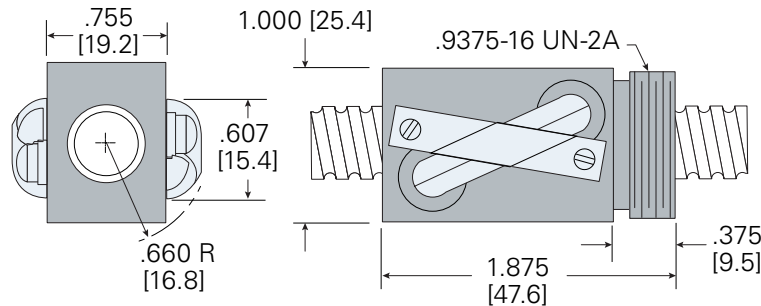
Precision Rolled Ball Screws

Double Circuit Ball Nut (Alloy Steel)



.500" diameter x .500" lead

- Ball Nut Part Number: **HBN5003**
- Helix: **RH**
- Dynamic Load: **786 lb**
- Static Load: **4,131 lb**
- Balls per Circuit/Nut: **30/60**
- Nominal Ball Diameter: **.125"**
- Torque to Raise 1 lb: **0.088 in/lb**
- Nut Weight: **0.27 lb**

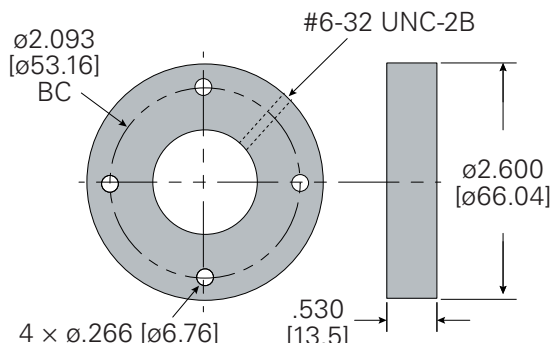


Ball Screw <i>double start</i>	
Ball Screw Part Number:	0025
Ball Circle Diameter:	.500"
Lead:	.500"
Root Diameter:	.360"
Screw Weight:	0.500 (lb/ft)

Standard Screw Lengths <i>Custom cut lengths available up to 12'</i>	
Length	Part Number
2'	CLB5524
4'	CLB5548
6'	CLB5572

Flange

RFL5000 (alloy)



Contact a Helix sales engineer:

sales@helixlinear.com
216-485-2232