

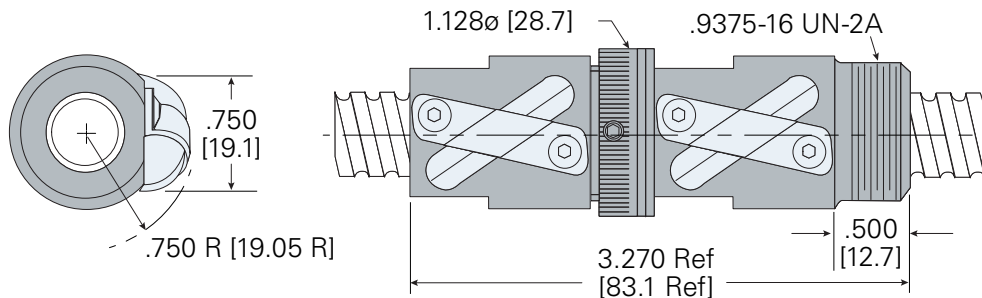
Precision Rolled Ball Screws

Double Circuit Ball Nut with Adjustable Preload

.631" diameter x .200" lead



Ball Nut Part Number: **HBN6313**
 Helix: **RH**
 Dynamic Load: **743 lb**
 Static Load: **6,168 lb**
 Balls per Circuit/Nut: **68/136**
 Nominal Ball Diameter: **.063"**
 Torque to Raise 1 lb: **0.035 in/lb**
 Nut Weight: **0.64 lb**

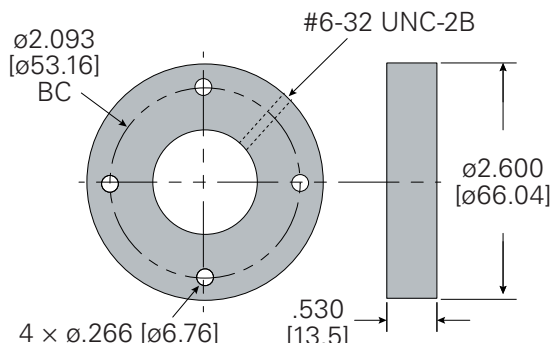


Ball Screw	
<i>single start</i>	
Ball Screw Part Number:	0007
Ball Circle Diameter:	.631"
Lead:	.200"
Root Diameter:	.500"
Screw Weight:	0.81 (lb/ft)

Standard Screw Lengths	
<i>Custom cut lengths available up to 12'</i>	
Length	Part Number
2'	CLB6124
4'	CLB6148
6'	CLB6172

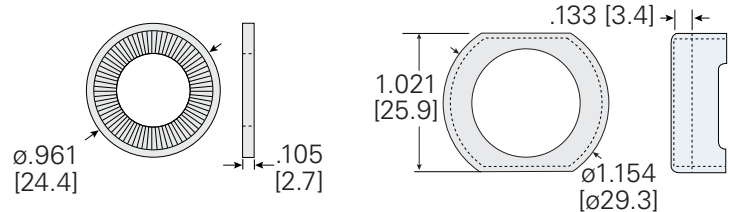
Flange

RFL6310 (alloy)



Wiper Kit

(two wipers, one retainer)
 BWS631



Contact a Helix sales engineer:
 sales@helixlinear.com
 216-485-2232