

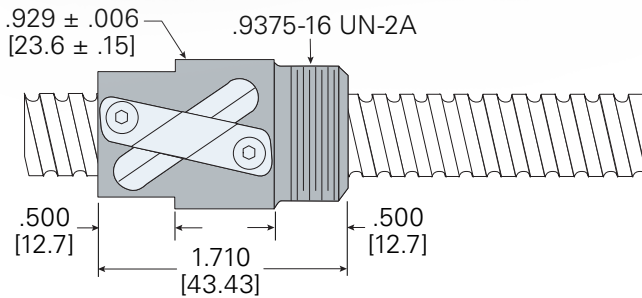
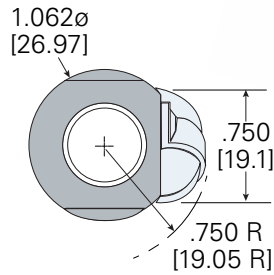
Precision Rolled Ball Screws

Single Circuit Ball Nut (Alloy Steel)

.631" diameter x .200" lead



Ball Nut Part Number: **HBN6311**
 Helix: **RH**
 Dynamic Load: **816 lb**
 Static Load: **6,388 lb**
 Balls per Circuit/Nut: **68/68**
 Nominal Ball Diameter: **.063"**
 Torque to Raise 1 lb: **0.035 in/lb**
 Nut Weight: **0.26 lb**

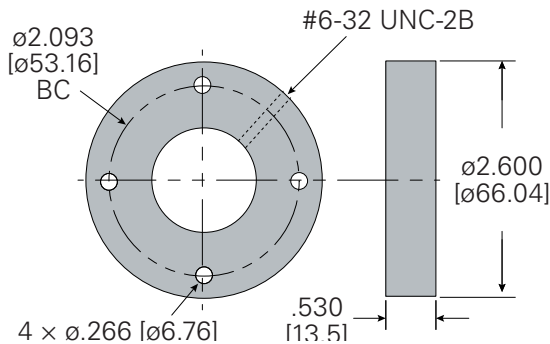


| Ball Screw <i>single start</i> | |
|-----------------------------------|---------------------|
| Ball Screw Part Number: | 0007 |
| Ball Circle Diameter: | .631" |
| Lead: | .200" |
| Root Diameter: | .500" |
| Screw Weight: | 0.81 (lb/ft) |

| Standard Screw Lengths <i>Custom cut lengths available up to 12'</i> | |
|---|----------------|
| Length | Part Number |
| 2' | CLB6124 |
| 4' | CLB6148 |
| 6' | CLB6172 |

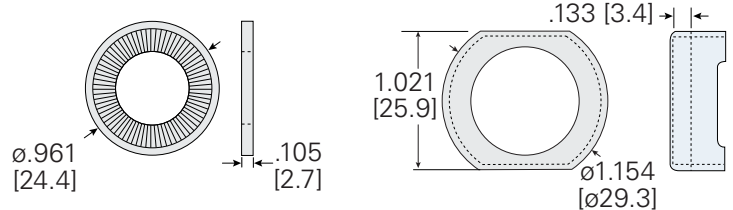
Flange

RFL6310 (alloy)



Wiper Kit

(two wipers, one retainer)
BWS631



Contact a Helix sales engineer:
sales@helixlinear.com
 216-485-2232