

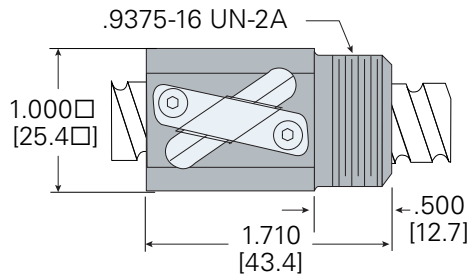
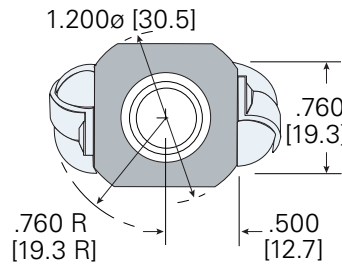
Precision Rolled Ball Screws

Double Circuit Ball Nut (Alloy Steel)



.631" diameter x .500" lead

- Ball Nut Part Number: **HBN6315**
- Helix: **RH**
- Dynamic Load: **960 lb**
- Static Load: **5,565 lb**
- Balls per Circuit/Nut: **37/74**
- Nominal Ball Diameter: **.125"**
- Torque to Raise 1 lb: **0.0885 in/lb**
- Nut Weight: **0.27lb**

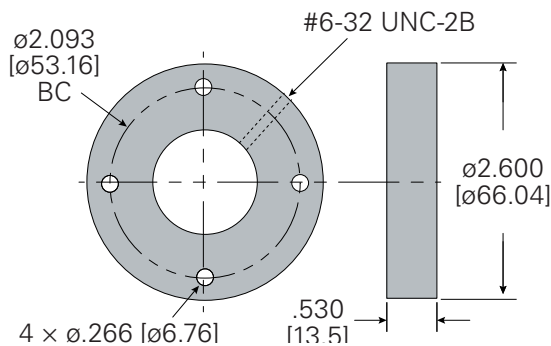


Ball Screw <i>single start</i>	
Ball Screw Part Number:	0017
Ball Circle Diameter:	.631"
Lead:	.500"
Root Diameter:	.500"
Screw Weight:	0.81 (lb/ft)

Standard Screw Lengths <i>Custom cut lengths available up to 12'</i>	
Length	Part Number
2'	CLB6324
4'	CLB6348
6'	CLB6272

Flange

RFL6310 (alloy)



Contact a Helix sales engineer:

sales@helixlinear.com
216-485-2232