

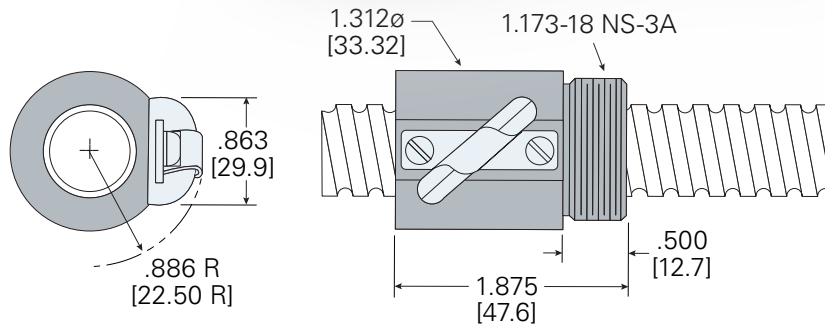
# Precision Rolled Ball Screws

## Single Circuit Ball Nut (Alloy Steel)



.750" diameter x .200" lead

Ball Nut Part Number: **HBN7501**  
 Helix: **RH**  
 Dynamic Load: **1,105 lb**  
 Static Load: **8,571 lb**  
 Balls per Circuit/Nut: **70/70**  
 Nominal Ball Diameter: **.141"**  
 Torque to Raise 1 lb: **0.035 in/lb**  
 Nut Weight: **0.34 lb**

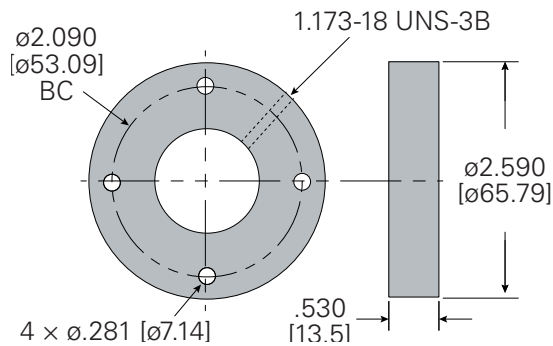


Ball Screw <i>single start</i>	
Ball Screw Part Number:	<b>0017</b>
Ball Circle Diameter:	<b>.750"</b>
Lead:	<b>.200"</b>
Root Diameter:	<b>.602"</b>
Screw Weight:	<b>1.20 (lb/ft)</b>

Standard Screw Lengths <i>Custom cut lengths available up to 12'</i>			
Length	Part Number	Length	Part Number
2'	<b>CLB7524</b>	8'	<b>CLB7596</b>
4'	<b>CLB7548</b>	12'	<b>CLB75144</b>
6'	<b>CLB7572</b>		

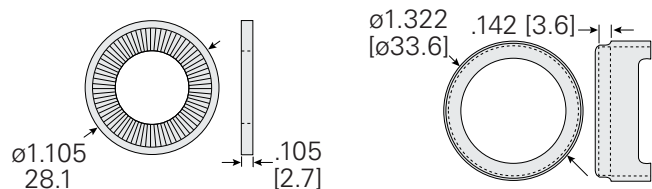
### Flange

*RFL7500 (alloy)*



### Wiper Kit

*(two wipers, one retainer)*  
*BWS750*



Contact a Helix sales engineer:

sales@helixlinear.com  
216-485-2232