

Precision Rolled Ball Screws

Double Circuit Ball Nut (Alloy Steel)



.875" diameter x .200" lead

Ball Nut Part Number: **HBN8752**

Helix: **RH**

Dynamic Load: **1,943 lb**

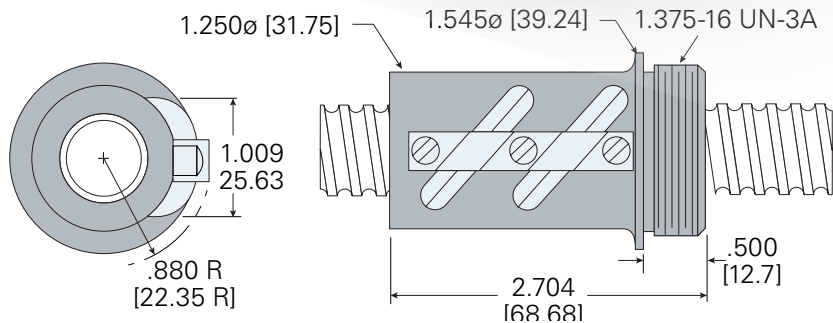
Static Load: **18,065 lb**

Balls per Circuit/Nut: **91/182**

Nominal Ball Diameter: **.125"**

Torque to Raise 1 lb: **0.035 in/lb**

Nut Weight: **0.80 lb**

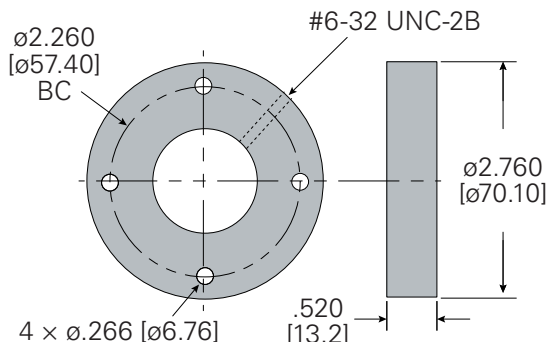


Ball Screw	
<i>single start</i>	
Ball Screw Part Number:	0008
Ball Circle Diameter:	.875"
Lead:	.200"
Root Diameter:	.735"
Screw Weight:	1.76 (lb/ft)

Standard Screw Lengths			
<i>Custom cut lengths available up to 12'</i>			
Length	Part Number	Length	Part Number
2'	CLB8724	8'	CLB8796
4'	CLB8748	12'	CLB87144
6'	CLB8772		

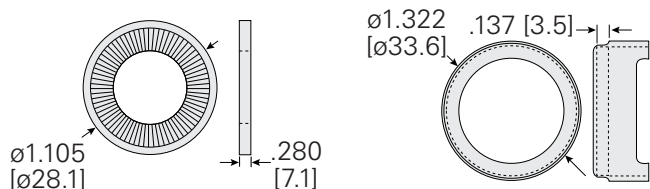
Flange

RFL8751 (alloy)



Wiper Kit

(two wipers, one retainer)
BWS875



Contact a Helix sales engineer:

sales@helixlinear.com

216-485-2232

helixlinear.com