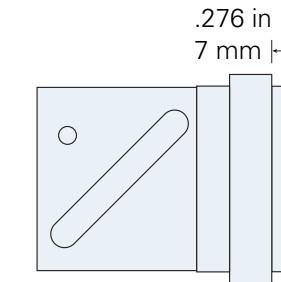
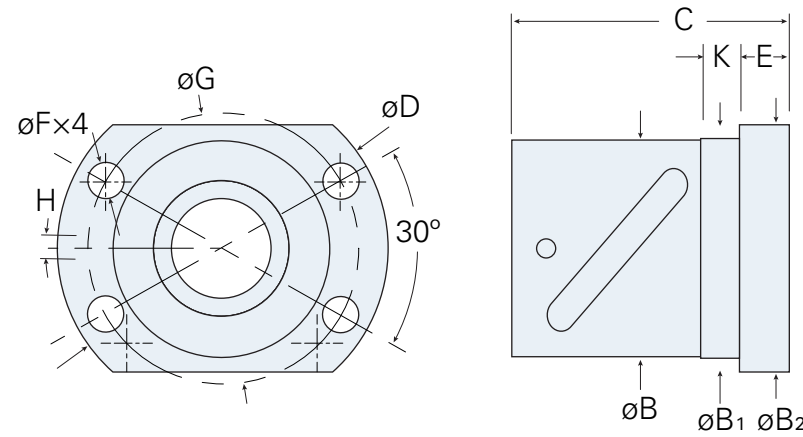


Metric Ball Screws
HELIX[™]
LINEAR TECHNOLOGIES

FBR Ball Nuts

with Square Mounting Flange and Tube Ball Returns
ø8 - 12.7mm



ø12.7 mm side view

Size	Nominal Diameter mm	Lead mm	B _{g6} mm	B ₁ mm	B ₂ mm	C mm	D mm	E mm	F mm	G mm	øH mm	K mm	Circuits	Ball Diameter mm	Dynamic Load N	Static Load N
8x2	8	2	17.5	18	19	25	28	6	3.4	22	4	4	1x3.5	1.59	2,000	3,200
10x10	10	10	22.5	23	24	40	37	8	4.5	29	M5	6	2x1.5	2.00	2,500	4,500
12x2	12	2	21.5	22	24	30	37	8	4.5	29	4	5	1x3.5	1.59	2,500	5,100
12x3	12	3	23.5	24	26	36	40	8	4.5	32	-	5	2x2.5	2.00	5,000	11,000
12x4	12	4	25.5	26	28	36	39.5	8	4.5	32	M5	5	1x3.5	2.50	5,500	11,000
12x5	12	5	25.5	26	28	40	39.5	7	4.5	32	M5	5	1x3.5	2.78	6,600	12,000
12.7x25.4	12.7	25.4	25.5	26	28	32	42	8	4.5	33	4	5	3x0.9	2.00	2,300	4,500

Quick Links

Square Flange

Tube Ball Returns

End-Cap Ball Returns

Single-Thread Ball Returns

Round Flange

End-Cap Ball Returns

Mounting Thread

Tube Ball Returns

End-Cap Ball Returns

Single-Thread Ball Returns

Cylindrical Nuts

Tube Ball Returns

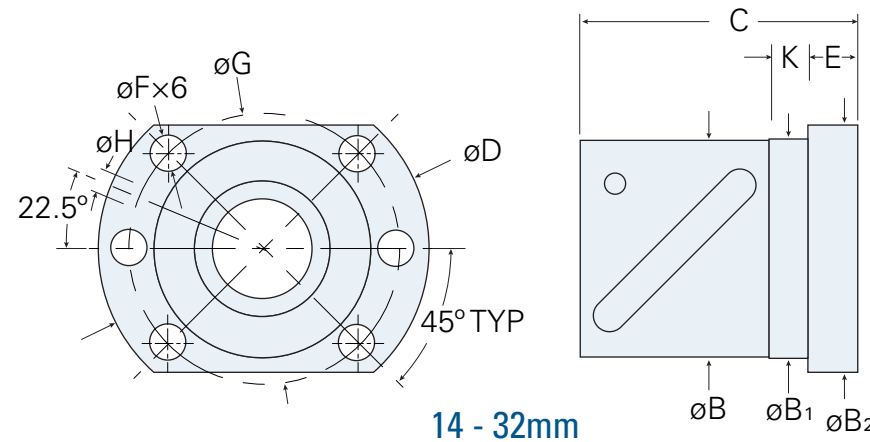
End-Cap Ball Returns

Single-Thread Ball Returns

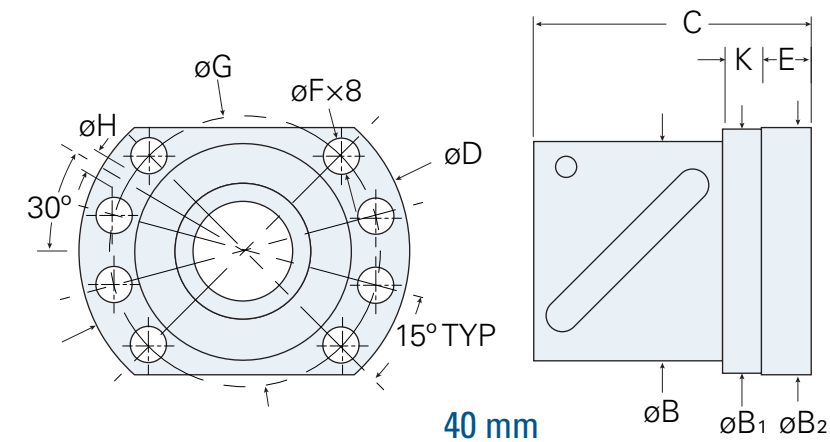
FBR Ball Nuts

with Square Mounting Flange and Tube Ball Returns

ø14 - 40mm



14 - 32mm



40 mm

Size	Nominal Diameter mm	Lead mm	B _{g6} mm	B ₁ mm	B ₂ mm	C mm	D mm	E mm	F mm	G mm	øH mm	K mm	Circuits	Ball Diameter mm	Dynamic Load N	Static Load N
14x2	14	2	25.5	26	28	32	39.5	7	4.5	32	4	5	2x2.5	1.59	4,500	10,000
14x4	14	4	28.6	29	36	40	48	8	5.5	38	M5	6	1x3.5	2.78	8,100	16,000
16x2	16	2	29.5	30	40	45	48	10	5.5	38	M6	6	2x2.5	1.59	4,500	11,000
16x2	16	2	29.5	30	40	45	48	10	5.5	38	M6	6	3x2.5	1.59	6,000	15,000
16x10	16	10	31.5	32	44	52	54	12	6.6	43	M6	6	2x2.5	3.5	17,000	25,000
20x10	20	10	37.5	38	48	55	62	10	6.6	50	M6	7	2x2.5	3.5	21,000	51,000
20x10	20	10	37.5	38	48	65	62	10	6.6	50	M6	7	2x3.5	3.5	26,000	65,000
20x20	20	20	35.5	36	44	58	58	10	6.6	47	M6	7	2x1.5	3.5	10,000	22,000
25x10	25	10	42.5	43	50	55	65	10	6.6	55	M6	7	2x2.5	3.5	21,000	54,000
25x25	25	25	43.5	44	52	67	70	12	6.6	56	M6	10	2x1.5	3.5	10,000	24,000
25x25	25	25	43.5	44	52	67	70	12	6.6	56	M6	10	4x1.5	3.5	20,000	48,000
32x10	32	10	51.5	52	64	62	82	12	9	67	M6	10	2x2.5	3.5	20,000	55,000
32x15	32	15	55.5	56	65	74	86	14	9	71	M6	12	2x2.5	3.5	19,900	55,100
32x32	32	32	55.5	56	65	86	86	14	9	71	M6	12	4x1.5	3.5	25,700	76,200
40x5	40	5	64.5	65	70	75	93	14	9	78	M8x1	12	2x3.5	3.5	29,400	97,000
40x20	40	20	64.7	65	70	88	93	14	9	78	M8x1	12	2x2.5	4	25,500	77,400
40x40	40	40	65.5	66	75	98	95	14	9	80	M8x1	12	4x1.5	4	29,900	94,500

Quick Links

Square Flange

Tube Ball Returns

End-Cap Ball Returns

Single-Thread Ball Returns

Round Flange

End-Cap Ball Returns

Mounting Thread

Tube Ball Returns

End-Cap Ball Returns

Single-Thread Ball Returns

Cylindrical Nuts

Tube Ball Returns

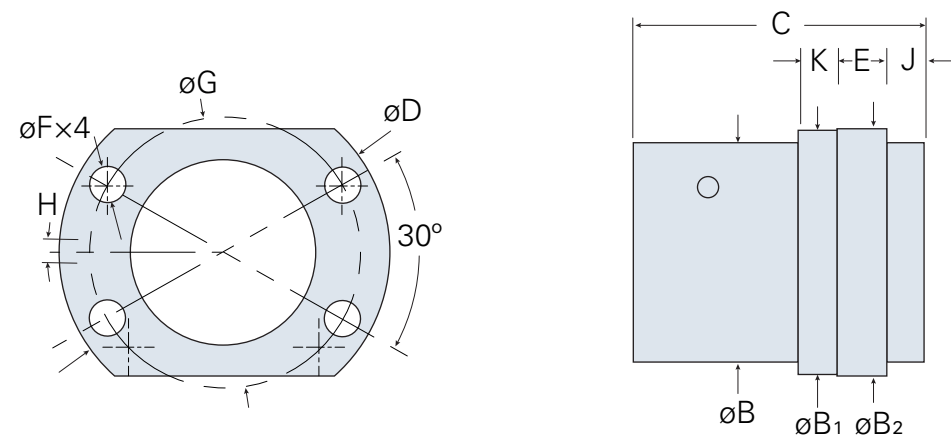
End-Cap Ball Returns

Single-Thread Ball Returns

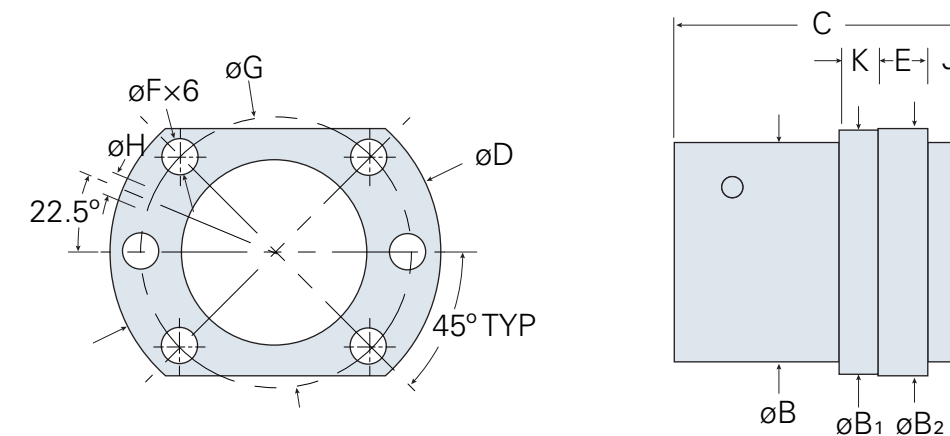
FBE Ball Nuts

with Square Mounting Flange and End Cap Ball Returns

ø8 - 25mm



8 mm



16 - 25 mm

Size	Nominal Diameter mm	Lead mm	B _{g6} mm	B ₁ mm	B ₂ mm	C mm	D mm	E mm	F mm	G mm	øH mm	K mm	Circuits	Ball Diameter mm	Dynamic Load N	Static Load N	Static N
8x12	8	12	17.8	18	20	28	30	4	3.4	25	2	6	4	2x1.5	1.5	1,400	2,300
16x10	16	10	27.8	28	40	42	48	10	5.5	38	4	10	10	2x2.9	3	12,500	26,000
16x16	16	16	27.8	28	40	42	48	10	5.5	38	4	10	10	2x1.9	3	7,800	15,500
16x50	16	50	27.8	28	40	55	48	10	5.5	38	4	10	10	3x0.9	3	4,800	11,000
20x20	20	20	35.5	36	44	50	58	12	6.6	47	M6	10	10	4x1.9	3	17,900	44,600
25x25	25	25	39.8	40	48	60	62	10	6.6	51	4	10	10	4x1.9	3.5	23,300	68,000
25x30	25	30	39.8	40	48	70	62	10	6.6	51	4	10	10	4x1.9	3.5	23,000	67,800

Quick Links

Square Flange

Tube Ball Returns

End-Cap Ball Returns

Single-Thread Ball Returns

Round Flange

End-Cap Ball Returns

Mounting Thread

Tube Ball Returns

End-Cap Ball Returns

Single-Thread Ball Returns

Cylindrical Nuts

Tube Ball Returns

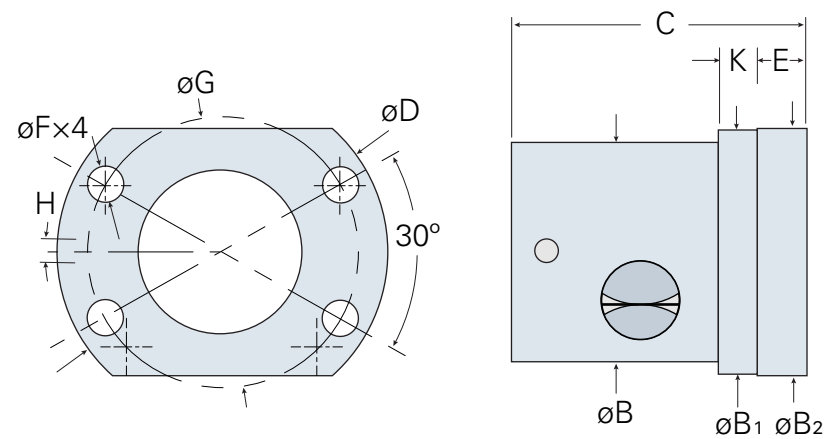
End-Cap Ball Returns

Single-Thread Ball Returns

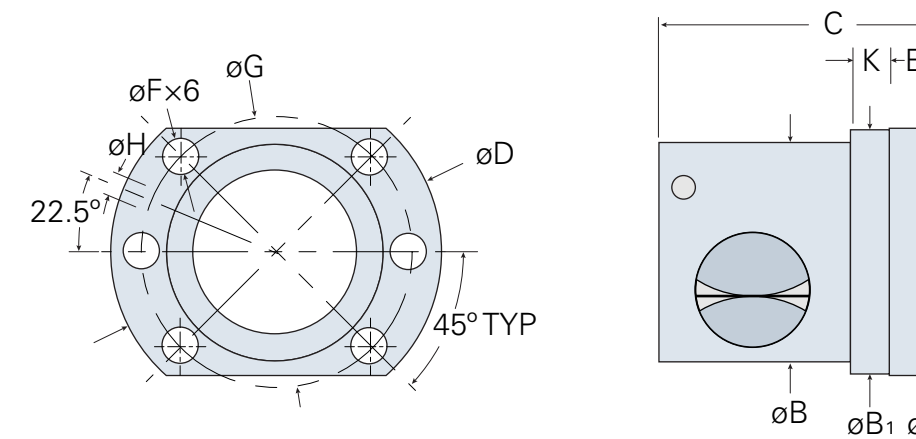
FBI Ball Nuts

with Square Mounting Flange and Single-Thread Ball Returns

ø4 - 32mm



4 - 12 mm



16 - 32 mm

Size	Nominal Diameter mm	Lead mm	B _{g6} mm	B ₁ mm	B ₂ mm	C mm	D mm	E mm	F mm	G mm	øH mm	K mm	Circuits	Ball Diameter mm	Dynamic Load N	Static Load N
6x1	6	1	11.8	12	16	18	24	4	3.4	18	2	4	3x1	0.8	600	1,000
8x1	8	1	13.5	14	18	18	27	4	3.4	21	2	4	3x1	0.8	700	1,200
8x2	8	2	15.5	16	19	30	28	6	3.4	22	4	4	3x1	1.59	1,400	2,000
10x4	10	4	17.8	18	23	38	36	6	4.5	28	-	6	4x1	2.5	4,100	6,700
10x4	10	4	17.8	18	23	38	36	6	4.5	28	2	6	4x1	2.5	4,100	6,700
12x5	12	5	23.5	24	26	40	40	8	4.5	32	4	6	3x1	2.78	5,000	8,600
16x5	16	5	27.8	28	40	45	48	10	5.5	38	M6	6	3x1	3.5	9,700	22,000
20x5	20	5	35.5	36	44	50	58	10	6.6	47	M6	10	3x1	3.5	10,800	25,000
25x5	25	5	39.5	40	48	50	62	10	6.6	51	M6	10	3x1	3.5	11,700	30,000
25x5	25	5	39.5	40	48	55	62	10	6.6	51	M6	10	4x1	3.5	14,000	35,000
32x5	32	5	49.5	50	62	57	80	12	9	65	M6	10	4x1	3.5	19,000	54,000

Quick Links

Square Flange

Tube Ball Returns

End-Cap Ball Returns

Single-Thread Ball Returns

Round Flange

End-Cap Ball Returns

Mounting Thread

Tube Ball Returns

End-Cap Ball Returns

Single-Thread Ball Returns

Cylindrical Nuts

Tube Ball Returns

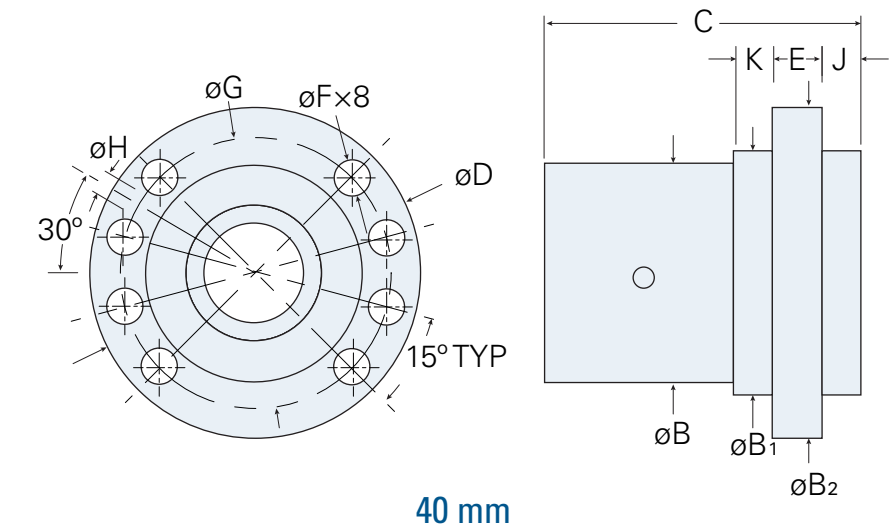
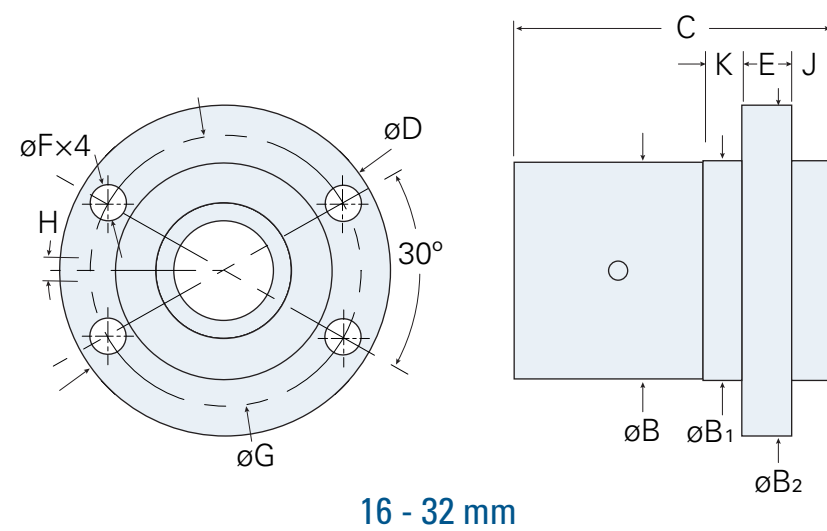
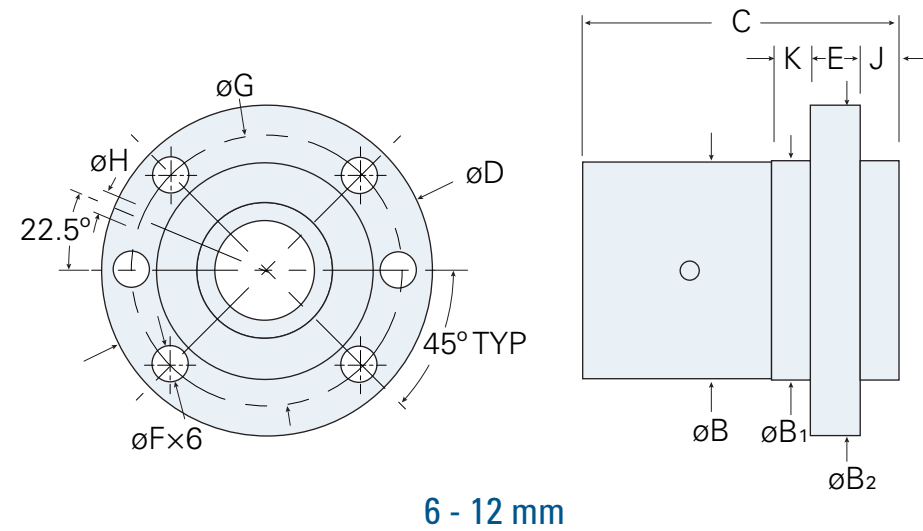
End-Cap Ball Returns

Single-Thread Ball Returns

FAF Ball Nuts

with Round Mounting Flange and End Cap Ball Returns

ø6 - 40mm



Size	Nominal Diameter mm	Lead mm	B _{g6} mm	B ₁ mm	B ₂ mm	C mm	D mm	E mm	F mm	G mm	øH mm	K mm	Circuits	Ball Diameter mm	Dynamic Load N	Static Load N
6×2	6	2	17.5	18	19	34	4	3.4	26	2	4	4	1×3.7	1.59	1,900	2,800
6×6	6	6	17.5	18	19	34	4	3	26	2	4	4	2×1.6	1.5	1,700	2,600
8×3	8	3	19.5	20	23	36	4	3	28	2	5	4	1×3.7	1.5	1,900	3,300
8×8	8	8	19.5	20	23	36	4	3	28	2	5	4	2×1.7	1.5	2,000	3,700
10×10	10	10	23.5	24	27	40	7	5	32	4	4	5	2×1.7	2	3,200	5,900
10×3	10	3	23.5	24	27	40	7	5	32	3	4	5	1×3.7	2	3,500	6,300
12×10	12	10	25.5	26	38	42	8	5	34	4	6	6	2×2.4	2.5	6,400	12,600
12×5	12	5	25.5	26	30	42	8	5	34	4	6	6	1×3.7	2.78	5,900	10,600
12×12	12	12	25.5	26	30	42	8	5	34	4	6	6	2×1.6	2.5	4,600	8,500
15×20	15	20	31.5	32	46	52	10	6	42	4	10	10	2×1.7	3	7,100	14,700
16×16	16	16	31.5	32	41	52	10	6	42	4	10	10	2×1.6	3	6,700	13,700
25×10	25	10	41.5	42	52	64	10	7	53	4	10	10	2×2.7	3	14,100	39,800
40×40	40	40	61.5	62	90	93	12	9	78	4	12	12	4×1.7	4	30,600	108,100

Quick Links

Square Flange

Tube Ball Returns

End-Cap Ball Returns

Single-Thread Ball Returns

Round Flange

End-Cap Ball Returns

Mounting Thread

Tube Ball Returns

End-Cap Ball Returns

Single-Thread Ball Returns

Cylindrical Nuts

Tube Ball Returns

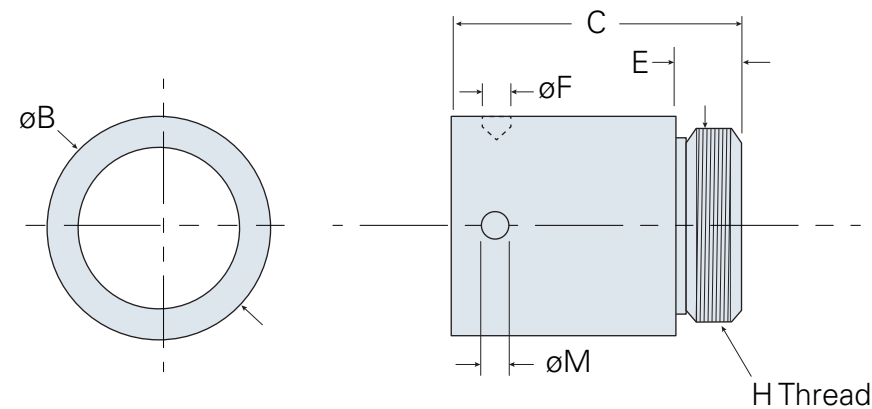
End-Cap Ball Returns

Single-Thread Ball Returns

FGR Ball Nuts

with Mounting Thread, Tube Ball Returns, and Technopolymer Wipers

ø6 - 25mm



Size	Nominal Diameter mm	Lead mm	$B_{-0.1}^0$ mm	C mm	E mm	F mm	H thread	$\varnothing M$ mm	Circuits	Ball Diameter mm	Dynamic N	Static N
6x2	5.7	2	19	19	8	2.5	M16x1	$\varnothing 2$	1x3.7	0.05	1,900	2,800
6x6	5.9	6	19	19	8	2.5	M16x1	$\varnothing 2$	2x1.6	0.05	1,700	2,600
8x3	8	3	23	23	10	2.5	M20x1	$\varnothing 2$	1x3.7	0.05	1,900	3,300
8x8	8	8	23	23	10	2.5	M20x1	$\varnothing 2$	2x1.7	0.05	2,000	3,700
10x3	9.9	3	27	27	10	3	M24x1.5	$\varnothing 2$	1x3.7	0.06	3,500	6,300
10x10	9.9	10	27	27	10	3	M24x1.5	$\varnothing 2$	2x1.7	0.06	3,200	5,900
12x5	12	5	32	30	12	3.5	M28x1.5	$\varnothing 4$	1x3.7	0.06	5,900	10,600
12x10	11.9	10	32	38	12	3.5	M28x1.5	$\varnothing 4$	2x2.4	0.06	6,400	12,600
12x12	12	12	32	30	12	3.5	M28x1.5	$\varnothing 4$	2x1.6	0.06	4,600	8,500
15x20	14.9	20	36	46	19	4	M33x1.5	$\varnothing 4$	2x1.7	0.07	7,100	14,700
16x16	15.5	16	36	41	19	4	M33x1.5	$\varnothing 4$	2x1.6	0.07	6,700	13,700
25x10	24.9	10	49	52	19	4	M45x1.5	$\varnothing 4$	2x2.7	0.07	14,100	39,800

Quick Links

Square Flange

Tube Ball Returns

End-Cap Ball Returns

Single-Thread Ball Returns

Round Flange

End-Cap Ball Returns

Mounting Thread

Tube Ball Returns

End-Cap Ball Returns

Single-Thread Ball Returns

Cylindrical Nuts

Tube Ball Returns

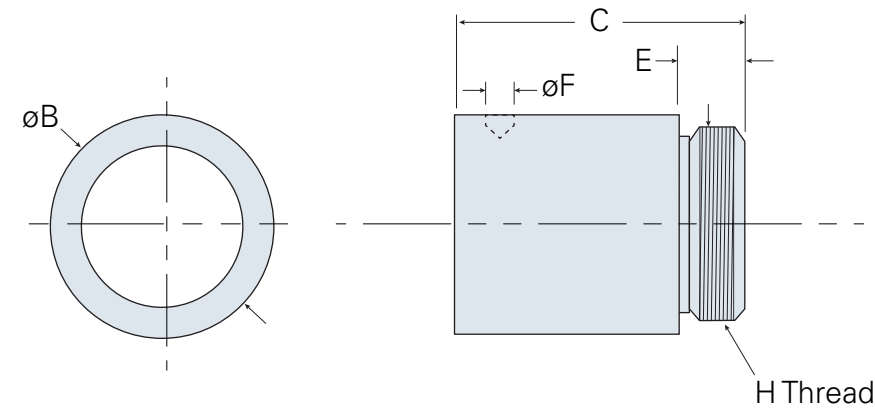
End-Cap Ball Returns

Single-Thread Ball Returns

FGF Ball Nuts

with Mounting Thread and End Cap Ball Returns

ø8 - 12.7mm



Size	Nominal Diameter mm	Lead mm	B _{-0.1} ⁰ mm	C mm	E mm	F mm	H thread	Circuits	Ball mm	Dynamic N	Static N
6×2	6	2	16	22	8	2.5	M12×1	1×3.5	1.59	1,700	2,300
8×2	8	2	18	24	8	2.5	M14×1	1×3.5	1.59	2,000	3,200
8×5	8	5	18	25	8	2.5	M14×1	2×1.5	1.5	1,960	3,470
8×8	8	8	18	25	8	2.5	M14×1	2×1.5	1.5	1,500	2,500
10×10	10	10	23	35	9	3	M18×1	2×1.5	2	2,300	4,000
10×2	10	2	19.5	22	7	2.5	M17×1	1×3.5	1.59	2,800	5,000
10×3	10	3	21	29	9	3	M18×1	1×3.5	2	2,500	4,500
12×10	12	10	26	37	8	3	M20×1	2×1.5	2.5	5,500	11,000
12×4	12	4	26	32	8	2.5	M20×1	1×3.5	2.5	6,600	12,000
12×5	12	5	26	37	8	3	M20×1	1×3.5	2.78	4,400	7,700
12.7×12.7	12.7	12.7	29.5	50	12	3	M25×1.5	2×1.5	3.5	8,000	15,500

Quick Links

Square Flange

Tube Ball Returns

End-Cap Ball Returns

Single-Thread Ball Returns

Round Flange

End-Cap Ball Returns

Mounting Thread

Tube Ball Returns

End-Cap Ball Returns

Single-Thread Ball Returns

Cylindrical Nuts

Tube Ball Returns

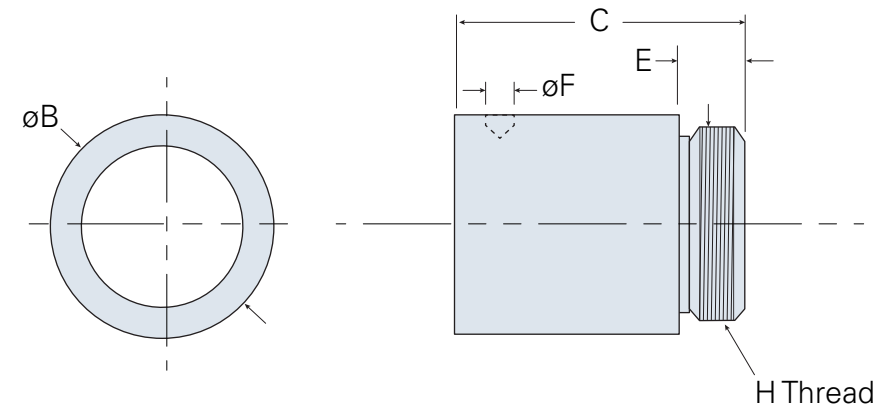
End-Cap Ball Returns

Single-Thread Ball Returns

FGF Ball Nuts

with Mounting Thread and End Cap Ball Returns

ø14 - 25mm



Size	Nominal Diameter mm	Lead mm	B _{-0.1} ⁰ mm	C mm	E mm	F mm	H thread	Circuits	Ball mm	Dynamic N	Static N
14x2	14	2	26	32	10	3	M22x1.5	2x2.5	1.59	4,500	10,000
14x4	14	4	29	32	8	3	M22x1.5	1x3.5	2.78	8,100	16,000
16x10	16	10	32	47	12	4	M26x1.5	1x2.5	3.5	2,500	5,500
16x10	16	10	32	47	12	4	M26x1.5	2x2.5	3.5	12,000	25,000
16x16	16	16	32	47	12	4	M26x1.5	3x1.5	3	8,500	12,500
16x2	16	2	30	28	12	3.5	M26x1.5	1x2.5	1.59	17,000	25,000
16x5	16	5	32	42	12	4	M26x1.5	1x3.5	3.5	9,150	18,750
20x10	20	10	38	58	19	4	M35x1.5	2x2.5	3.5	4,600	15,000
20x2	20	2	36	30	12	4	M30x1.5	2x2.5	1.59	13,700	29,900
20x20	20	20	38	58	19	4	M35x1.5	2x1.5	3.5	21,000	51,000
20x20	20	20	38	58	19	4	M35x1.5	4x1.5	3	10,000	22,000
20x5	20	5	36	42	12	4	M30x1.5	1x3.5	3.5	14,600	35,000
25x10	25	10	43	58	19	4	M40x1.5	2x2.5	3.5	17,500	42,400
25x5	25	5	44	58	19	4	M40x1.5	2x2.5	3.5	21,000	54,000

Quick Links

Square Flange

Tube Ball Returns

End-Cap Ball Returns

Single-Thread Ball Returns

Round Flange

End-Cap Ball Returns

Mounting Thread

Tube Ball Returns

End-Cap Ball Returns

Single-Thread Ball Returns

Cylindrical Nuts

Tube Ball Returns

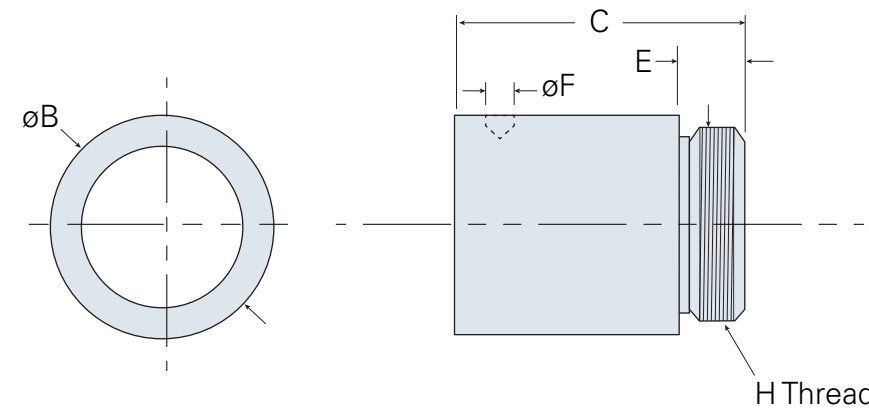
End-Cap Ball Returns

Single-Thread Ball Returns

FGI Ball Nuts

with Mounting Thread and Single-Thread Ball Returns (no wipers)

ø5 - 16mm



Size	Nominal Diameter mm	Lead mm	B _{0.1} ⁰ mm	C mm	E mm	F mm	H thread	Circuits	Ball Diameter mm	Dynamic N	Static N
5x2	5	2	10	18	6	2.5	M8x0.75	3x1	0.8	500	800
5x3	5	3	10	19	6	2.5	M8x0.75	2x1	0.8	340	490
5x3	5	3	10	23	6	2.5	M8x0.75	3x1	0.8	480	770
8x1	8	1	16	22	8	2.5	M14x1	3x1	0.8	700	1,200
8x1.5	8	1.5	16	22	8	2.5	M14x1	3x1	1.2	800	1,300
8x2	8	2	16	28	8	2.5	M14x1	3x1	1.59	1,400	2,000
8x2.5	8	2.5	16	24	8	2.5	M14x1	3x1	1.59	1,400	2,100
8x2.5	8	2.5	17.5	24	8	2.5	M15x1	1x3.5	1.59	2,000	3,200
8x3	8	3	16	25	8	2.5	M14x1	3x1	1.5	1,400	2,100
10x2	10	2	18	22	8	2.5	M16x1	2x1	1.59	1,250	2,100
10x2	10	2	18	28	8	2.5	M16x1	3x1	1.59	1,750	3,200
10x3	10	3	20	29	8	2.5	M18x1	3x1	2	2,400	4,200
10x4	10	4	20	40	8	2.5	M18x1	4x1	2.5	4,100	6,700
12x2	12	2	20	23	8	2.5	M18x1	2x1	1.59	1,380	2,500
12x2	12	2	20	28	8	2.5	M18x1	3x1	1.59	2,000	4,000
12x4	12	4	24	39	10	2.5	M20x1	3x1	2.5	4,000	6,800
12x5	12	5	23	42	10	3	M20x1	3x1	2.78	5,000	8,600
14x4	14	4	25	34	10	2.5	M22x1.5	3x1	2.78	5,000	8,800
16x2	16	2	25	34	10	2.5	M22x1.5	3x1	1.59	2,400	5,200
16x5	16	5	30.2	45	12	3.5	M26x1.5	3x1	3.5	9,700	22,000

Quick Links

Square Flange

Tube Ball Returns

End-Cap Ball Returns

Single-Thread Ball Returns

Round Flange

End-Cap Ball Returns

Mounting Thread

Tube Ball Returns

End-Cap Ball Returns

Single-Thread Ball Returns

Cylindrical Nuts

Tube Ball Returns

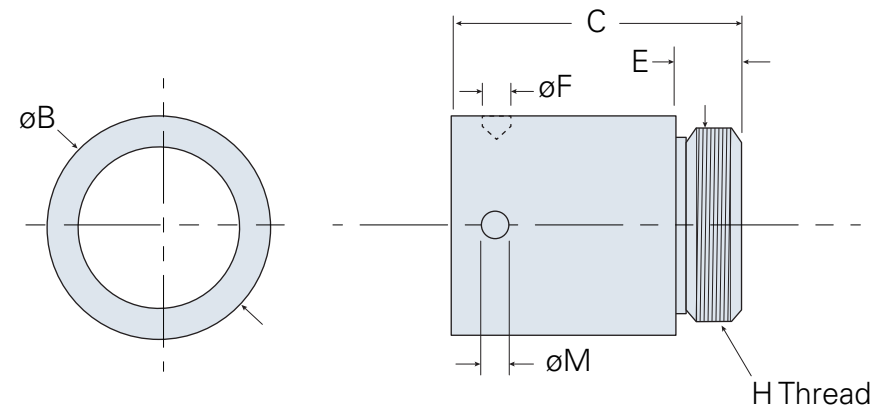
End-Cap Ball Returns

Single-Thread Ball Returns

FGI Ball Nuts

with Mounting Thread, Single-Thread Ball Returns, and Technopolymer Wipers

ø10 - 40mm



Size	Nominal Diameter mm	Lead mm	B _{-0.1} ⁰ mm	C mm	E mm	F mm	H thread	øM mm	Circuits	Ball Diameter mm	Dynamic N	Static N
10×3	10	3	20	29	8	2.5	M18×1	2	3×1	2	2,400	4,200
10×4	10	4	20	40	8	2.5	M18×1	2	4×1	2.5	4,100	6,700
12×4	12	4	24	39	10	2.5	M20×1	4	3×1	2.5	4,000	6,800
12×5	12	5	23	42	10	3	M20×1	4	3×1	2.78	5,000	8,600
14×4	14	4	25	38	10	2.5	M22×1.5	4	3×1	2.78	5,000	8,800
16×5	16	5	30.2	50	12	3.5	M26×1.5	M5	3×1	3.5	9,700	22,000
20×5	20	5	33	47	12	4	M30×1.5	M5	3×1	3.5	10,800	25,000
25×5	25	5	40	57	12	4	M38×1.5	M5	3×1	3.5	11,700	30,000
32×5	32	5	52	55	15	4	M48×1.5	M5	4×1	3.5	19,000	54,000

Quick
Links

Square
Flange

Tube Ball
Returns

End-Cap Ball
Returns

Single-Thread
Ball Returns

Round
Flange

End-Cap Ball
Returns

Mounting
Thread

Tube Ball
Returns

End-Cap Ball
Returns

Single-Thread
Ball Returns

Cylindrical
Nuts

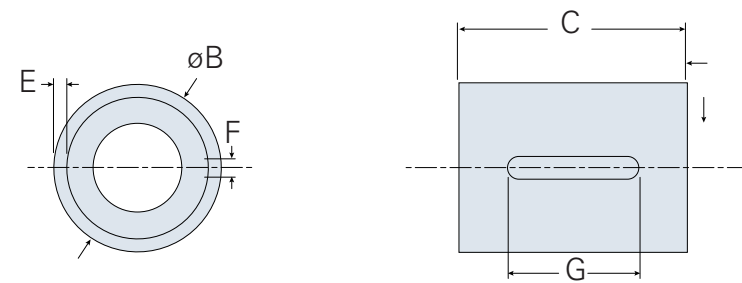
Tube Ball
Returns

End-Cap Ball
Returns

Single-Thread
Ball Returns

ZYR Ball Nuts

Cylindrical Ball Nut with Tube Ball Returns (no wipers)
 ø6 - 40mm



Size	Nominal mm	Lead mm	B _{g6} mm	C mm	E mm	F _{pg} mm	G mm	Circuits	Ball Diameter mm	Backlash mm	Dynamic load N	Static load N
8x2	8	2	18	14	1.2	2	8	1x3.5	1.59	0.06	2,000	3,200
8x2.5	8	2.5	18	16	2	3	10	1x3.5	1.59	0.06	2,000	3,200
10x3	9.9	3	22	24	2	3	10	1x3.5	2	0.06	2,800	5,000
10x10	9.8	10	23	26	2	3	10	2x1.5	2	0.06	2,500	4,500
12x4	12	4	26	24	1.8	3	10	1x3.5	2.5	0.07	5,500	11,000
14x4	14	4	29	24	2.5	4	16	1x3.5	2.78	0.07	8,100	16,000
16x10	15.7	10	32	45	2.5	4	16	2x2.5	3.5	0.07	17,000	25,000

Quick Links

Square Flange

Tube Ball Returns

End-Cap Ball Returns

Single-Thread Ball Returns

Round Flange

End-Cap Ball Returns

Mounting Thread

Tube Ball Returns

End-Cap Ball Returns

Single-Thread Ball Returns

Cylindrical Nuts

Tube Ball Returns

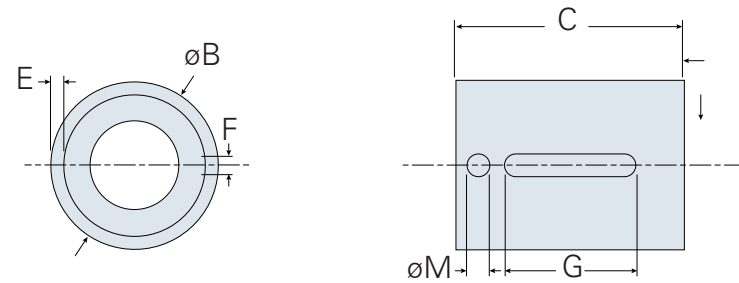
End-Cap Ball Returns

Single-Thread Ball Returns

ZYR Ball Nuts

Cylindrical Ball Nut with Tube Ball Returns and Technopolymer Wipers

ø6 - 40mm



Size	Nominal mm	Lead mm	B _{g6} mm	C mm	E mm	F _{pg} mm	G mm	M mm	Circuits	Ball Diameter mm	Backlash mm	Dynamic load N	Static load N
10×3	9.9	3	22	24	2	3	10	ø3.5	1×3.5	2	0.06	2,800	5,000
12×4	12	4	26	32	1.8	3	10	ø4.0	1×3.5	2.5	0.07	5,500	11,000
14×4	14	4	29	32	2.5	4	16	ø4.0	1×3.5	2.78	0.07	8,100	16,000
16×10	15.7	10	32	45	2.5	4	16	ø4.0	2×2.5	3.5	0.07	17,000	25,000

Quick
Links

Square
Flange

Tube Ball
Returns

End-Cap Ball
Returns

Single-Thread
Ball Returns

Round
Flange

End-Cap Ball
Returns

Mounting
Thread

Tube Ball
Returns

End-Cap Ball
Returns

Single-Thread
Ball Returns

Cylindrical
Nuts

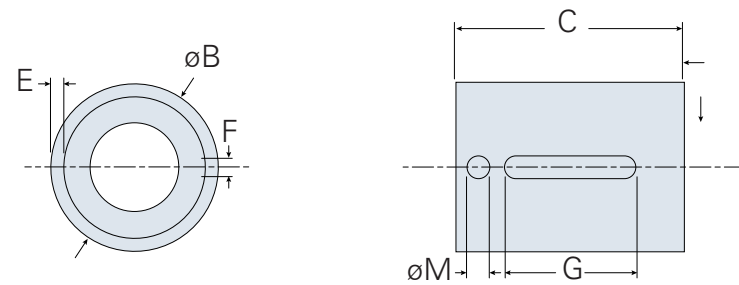
Tube Ball
Returns

End-Cap Ball
Returns

Single-Thread
Ball Returns

ZYE Ball Nuts

Cylindrical Ball Nut with End Cap Ball Returns and Technopolymer Wipers
 ø8 - 25mm



Size	Nominal Diameter mm	Lead mm	B _{g6} mm	C mm	E mm	F _{Pg} mm	G mm	M mm	Circuits	Ball Diameter mm	Backlash mm	Dynamic Load N	Static Load N
8x12	8	12	18	28	1.2	2	8	ø2	2x1.5	1.5	0.05	1,400	2,300
12.7x25.4	12.5	25.4	26	32	1.8	3	10	ø4	3x0.9	2	0.05	2,300	4,500
16x10	16	10	28	42	2.5	4	16	ø4	2x2.9	3	0.07	12,500	26,000
16x16	15.5	16	28	42	2.5	4	16	ø3	2x1.9	3	0.07	7,800	15,500
16x50	16	50	28	55	2.5	4	16	ø4	3x0.9	3	0.06	4,800	11,000
20x20	20	20	36	50	2.5	4	20	ø4	4x1.9	3	0.06	17,900	44,600
25x25	24.5	25	40	60	2.5	4	20	ø4	4x1.9	3.5	0.06	23,300	68,000

Quick Links

Square Flange

Tube Ball Returns

End-Cap Ball Returns

Single-Thread Ball Returns

Round Flange

End-Cap Ball Returns

Mounting Thread

Tube Ball Returns

End-Cap Ball Returns

Single-Thread Ball Returns

Cylindrical Nuts

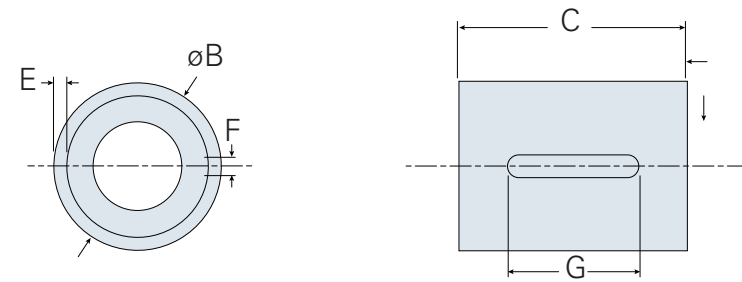
Tube Ball Returns

End-Cap Ball Returns

Single-Thread Ball Returns

ZYI Ball Nuts

Cylindrical Ball Nut with Single-Thread Ball Returns (no wipers)
 ø4 - 32mm



Size	Nominal mm	Lead mm	B _{g6} mm	C mm	E mm	F _{pg} mm	G mm	Circuits	Ball Diameter mm	Backlash mm	Dynamic load N	Static load N
4x1	4	1	8	10	1	ø2		3x1	0.8	0.03	430	580
5x2	5	2	10	14	1	2	8	3x1	0.8	0.03	500	800
6x1	6	1	12	14	1.2	2	8	3x1	0.8	0.03	600	1,000
8x1	8	1	14	14	1.2	2	8	3x1	0.8	0.03	700	1,200
8x1.5	8	1.5	14	14	1.2	2	8	3x1	1.2	0.04	800	1,300
8x2	8	2	16	20	1.2	2	8	3x1	1.59	0.05	1,400	2,000
8x2.5	8	2.5	16	22	2	3	10	3x1	1.59	0.05	1,400	2,100
8x3	8	3	14	12	1.2	2	8	2x1	1.5	0.05	950	1,500
8x5	8	5	18	19	2	3	10	2x2.5	1.5	0.06	1,960	3,470
10x2	9.7	2	18	14	1.2	3	10	2x1	1.59	0.06	1,250	2,100
10x4	10	4	18	35	1.2	3	10	4x1	2.5	0.07	4,100	6,700
12x2	12	2	20	15	1.2	3	10	2x1	1.59	0.06	1,380	2,500
14x4	14	4	25	24	2.5	4	10	3x1	2.78	0.07	5,000	8,800

Quick Links

Square Flange

Tube Ball Returns

End-Cap Ball Returns

Single-Thread Ball Returns

Round Flange

End-Cap Ball Returns

Mounting Thread

Tube Ball Returns

End-Cap Ball Returns

Single-Thread Ball Returns

Cylindrical Nuts

Tube Ball Returns

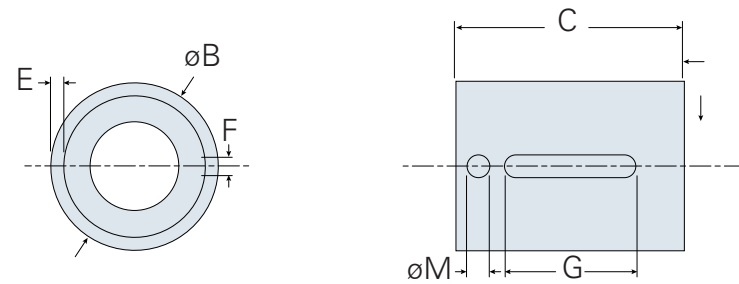
End-Cap Ball Returns

Single-Thread Ball Returns

ZYI Ball Nuts

Cylindrical Ball Nut with Single-Thread Ball Returns and Technopolymer Wipers

ø8 - 32mm



Size	Nominal mm	Lead mm	B _{g6} mm	C mm	E mm	F _{pg} mm	G mm	M mm	Circuits	Ball Diameter mm	Backlash mm	Dynamic load N	Static load N
8x2.5	8	2.5	16	22	2	3	10	ø2	3x1	1.59	0.05	1,400	2,100
10x4	10	4	18	35	1.2	3	10	ø2	4x1	2.5	0.07	4,100	6,700
14x4	14	4	25	32	2.5	4	10	ø4	3x1	2.78	0.07	5,000	8,800
16x5	15.7	5	30	43	2.5	4	16	M5	3x1	3.5	0.07	9,700	22,000
20x5	19.2	5	33	45	2.5	4	20	M5	3x1	3.5	0.07	10,800	25,000
25x5	24.6	5	38	50	2.5	4	20	M5	3x1	3.5	0.07	11,700	30,000
32x5	31.6	5	48	48	3	5	20	M5	4x1	3.5	0.07	19,000	54,000

Quick Links

Square Flange

Tube Ball Returns

End-Cap Ball Returns

Single-Thread Ball Returns

Round Flange

End-Cap Ball Returns

Mounting Thread

Tube Ball Returns

End-Cap Ball Returns

Single-Thread Ball Returns

Cylindrical Nuts

Tube Ball Returns

End-Cap Ball Returns

Single-Thread Ball Returns