

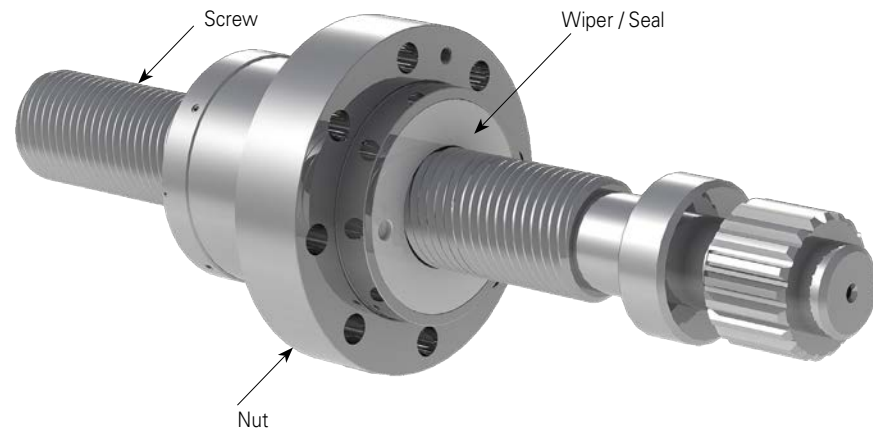
Ultra-High-Capacity Roller Screws



Ultra-High-Capacity Roller Screws (URS)

Overview

Helix Roller Screws are an innovation resulting from understanding customer needs and our in-depth knowledge and experience in roller screw engineering and manufacturing.



Ultra-High-Capacity Roller Screws (URS) are a variant of SRS designs offered in larger sizes range and with larger lengths of the nut, named as the Ultra-High-Capacity Standard Roller Screws. The URS is designed for demanding applications with heavy loads and long service needs. By optimizing the assembly, the number of contacts and the threads, this design is provided with loads ratings up to 65% over the SRS range.

The URS is available from range $\phi 60$ mm to $\phi 210$ mm for the screw with various leads and nut types with flange options and are not available with preload.

This solution offers best power density with its larger and robust design and is ideal when you have to manage heavy loads or severe duty cycles.



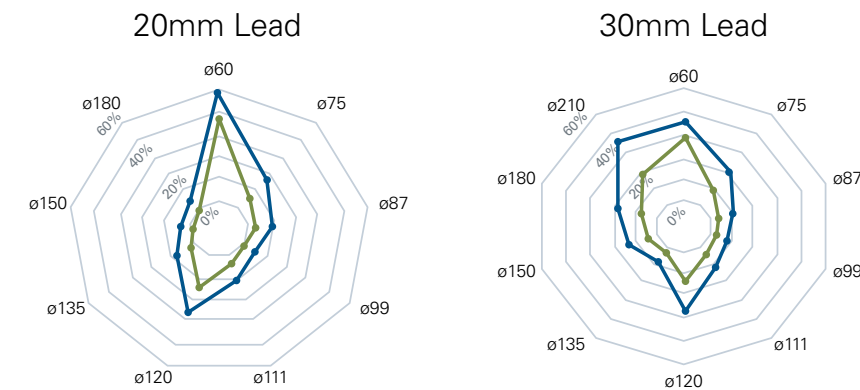
Ultra-High-Capacity Roller Screws (URS)

Dynamic Load Ratings (kN)

Nominal Diameter (mm)	Lead (mm)						
	15	20	25	30	35	40	50
60	766	763	725	733			
75	997	1009	1026	1019			
87	1204	1219	1246	1235			
99	1436	1462	1475	1496	1513		
111	1609	1620	1653	1658	1690		
120	1924	1953	1967	1988	2024	2031	
135	2059	2096	2119	2148	2148	2157	2168
150	2424	2475	2503	2511	2554	2553	2569
180		3497		3572		3620	3710
210				4218		4218	4243

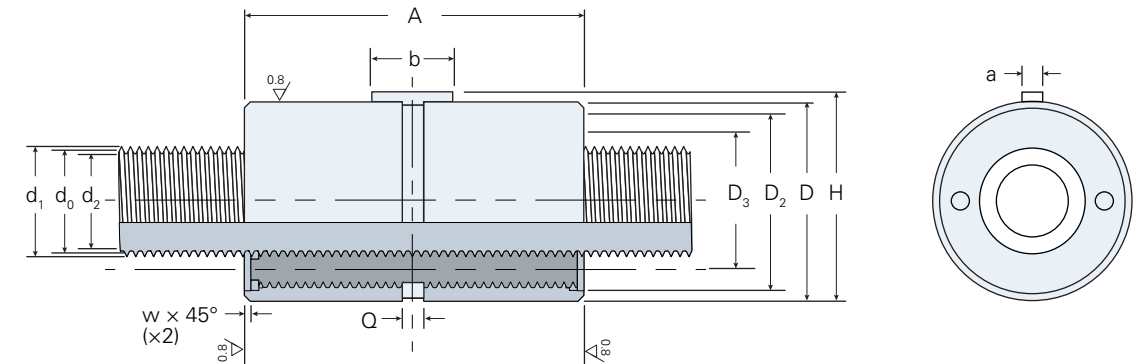
Ultra-High-Capacity Roller Screws (URS)

Quick Reference Guide and Load Capacity Charts



Ultra-High Capacity Roller Screws with Cylindrical Nut

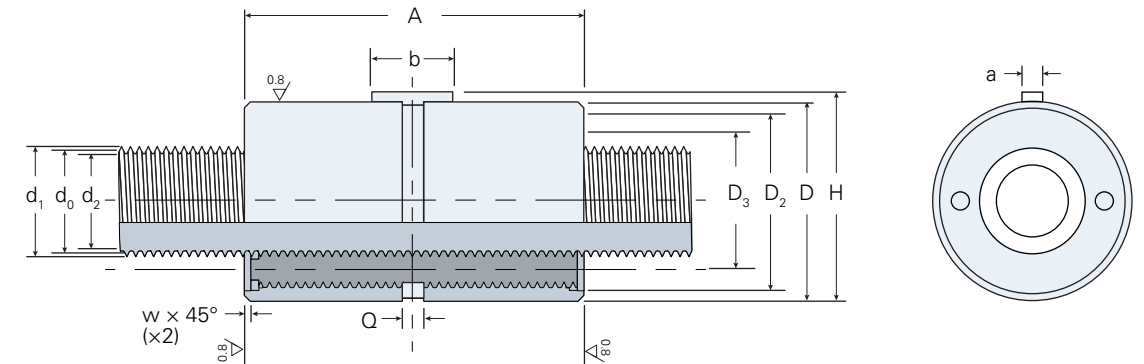
ø60 – ø111 mm



d ₀ (mm)	P _h (mm)	N (mm)	C _a (kN)	C _{0a} (kN)	η	η'	S ₀	m ^r (kg)	m _s (kg/m)	I _s (kgmm ² /m)	I _{nn} (kgmm ²)	I _{ns}	Z _n (mL)	Z _s (mL/m)	Part Number	d ₁ (mm)	d ₂ (mm)	D _{g6/H7} (mm)	A _{h12} (mm)	w (mm)	a (mm)	b _{h9} (mm)	H (mm)	Q (mm)	D ₂ (mm)	D ₃ (mm)
60	15	5	766	1927	0.8	0.79	0.07	9	22	9,924	16,717	1,458	37	16	URS 60x15 R-C	61	58.5	122	171	1	10	56	125	11	110	80
	20	5	763	1892	0.8	0.79	0.07	9	22	9,924	16,717	1,458	40	20	URS 60x20 R-C	61.3	58	122	171	1	10	56	125	11	110	80
	25	5	725	1742	0.79	0.79	0.07	9	22	9,924	16,602	1,342	41	24	URS 60x25 R-C	61.5	57.5	122	171	1	10	56	125	11	110	80
	30	5	733	1764	0.79	0.79	0.07	9	22	9,924	16,602	1,342	43	28	URS 60x30 R-C	61.8	56.9	122	171	1	10	56	125	11	110	80
75	15	5	997	3195	0.8	0.79	0.07	17	34	24,229	45,593	4,538	55	20	URS 75x15 R-C	76	73.6	150	213	1	10	63	153	11	138	100
	20	5	1009	3176	0.8	0.79	0.07	17	34	24,229	45,593	4,538	59	25	URS 75x20 R-C	76.3	73.1	150	213	1	10	63	153	11	138	100
	25	5	1026	3207	0.8	0.79	0.07	17	34	24,229	45,593	4,538	63	30	URS 75x25 R-C	76.6	72.5	150	213	1	10	63	153	11	138	100
	30	5	1019	3137	0.79	0.79	0.07	17	34	24,229	45,593	4,538	67	35	URS 75x30 R-C	76.9	72	150	213	1	10	63	153	11	138	100
87	15	5	1204	4226	0.8	0.79	0.07	27	46	43,870	97,340	9,540	78	23	URS 87x15 R-C	88	85.6	175	245	1.5	12	100	178	12	162	116
	20	5	1219	4203	0.8	0.79	0.07	27	46	43,870	97,340	9,540	83	29	URS 87x20 R-C	88.4	85.1	175	245	1.5	12	100	178	12	162	116
	25	5	1246	4268	0.8	0.79	0.07	27	46	43,870	97,340	9,540	89	35	URS 87x25 R-C	88.6	84.6	175	245	1.5	12	100	178	12	162	116
	30	5	1235	4159	0.8	0.79	0.07	27	46	43,870	97,340	9,540	94	41	URS 87x30 R-C	88.9	84	175	245	1.5	12	100	178	12	162	116
99	15	5	1436	5499	0.8	0.79	0.07	41	60	73,559	195,025	18,192	102	26	URS 99x15 R-C	100.1	97.6	200	280	1.5	16	100	204	15	182	132
	20	5	1462	5507	0.8	0.79	0.07	41	60	73,559	195,025	18,192	109	33	URS 99x20 R-C	100.4	97.1	200	280	1.5	16	100	204	15	182	132
	25	5	1475	5482	0.8	0.79	0.07	41	60	73,559	195,025	18,192	116	39	URS 99x25 R-C	100.7	96.6	200	280	1.5	16	100	204	15	182	132
	30	5	1496	5523	0.8	0.79	0.07	41	60	73,559	195,025	18,192	123	46	URS 99x30 R-C	101	96.1	200	280	1.5	16	100	204	15	182	132
	35	5	1513	5564	0.8	0.79	0.07	41	60	73,559	195,025	18,192	130	53	URS 99x35 R-C	101.2	95.5	200	280	1.5	16	100	204	15	182	132
111	15	5	1609	6494	0.8	0.79	0.07	60	75	116,248	388,513	31,164	127	29	URS 111x15 R-C	112.1	109.6	230	300	1.5	16	100	234	15	210	148
	20	5	1620	6392	0.8	0.79	0.07	60	75	116,248	388,513	31,164	135	36	URS 111x20 R-C	112.4	109.1	230	300	1.5	16	100	234	15	210	148
	25	5	1653	6475	0.8	0.79	0.07	60	75	116,248	388,513	31,164	143	44	URS 111x25 R-C	112.7	108.6	230	300	1.5	16	100	234	15	210	148
	30	5	1658	6410	0.8	0.79	0.07	60	75	116,248	388,513	31,164	152	52	URS 111x30 R-C	113	108.1	230	300	1.5	16	100	234	15	210	148
	35	5	1690	6530	0.8	0.79	0.07	60	75	116,248	388,513	31,164	160	59	URS 111x35 R-C	113.3	107.6	230	300	1.5	16	100	234	15	210	148

Ultra-High Capacity Roller Screws with Cylindrical Nut

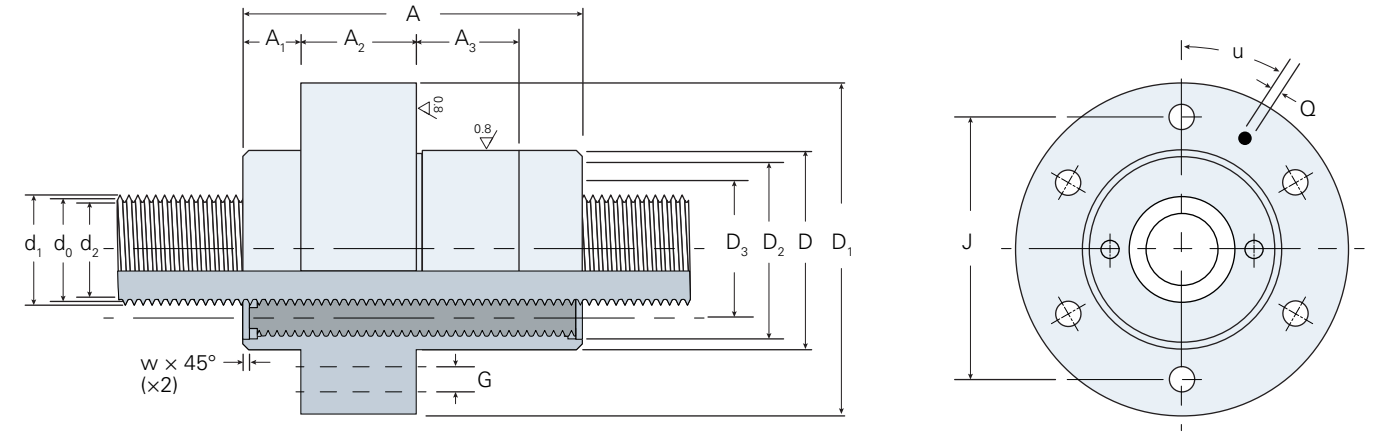
ø120 – ø210 mm



d ₀ (mm)	P _h (mm)	N (mm)	C _a (kN)	C _{0a} (kN)	η	η'	S ₀	m ⁿ (kg)	m _s (kg/m)	I _s (kgmm ² /m)	I _{nn} (kgmm ²)	I _{ns}	Z _n (mL)	Z _s (mL/m)	Part Number	d ₁ (mm)	d ₂ (mm)	D _{g6/H7} (mm)	A _{h12} (mm)	w (mm)	a (mm)	b _{h9} (mm)	H (mm)	Q (mm)	D ₂ (mm)	D ₃ (mm)
120	15	5	1924	8526	0.8	0.79	0.07	73	88	158,789	488,658	48,719	147	31	URS 120x15 R-C	121.1	118.6	240	346	1.5	16	100	244	15	220	160
	20	5	1953	8495	0.8	0.79	0.07	73	88	158,789	488,658	48,719	158	39	URS 120x20 R-C	121.4	118.1	240	346	1.5	16	100	244	15	220	160
	25	5	1967	8423	0.8	0.79	0.07	73	88	158,789	488,658	48,719	168	48	URS 120x25 R-C	121.7	117.6	240	346	1.5	16	100	244	15	220	160
	30	5	1988	8433	0.8	0.79	0.07	73	88	158,789	488,658	48,719	179	56	URS 120x30 R-C	122	117.1	240	346	1.5	16	100	244	15	220	160
	35	5	2024	8564	0.8	0.79	0.07	73	88	158,789	488,658	48,719	190	64	URS 120x35 R-C	122.3	116.6	240	346	1.5	16	100	244	15	220	160
	40	5	2031	8532	0.8	0.79	0.1	73	88	158,789	488,658	48,719	209	75	URS 120x40 R-C	122.6	116	240	346	1.5	16	100	244	15	220	160
135	15	5	2059	9377	0.8	0.79	0.07	110	112	254,349	1,058,803	82,646	194	35	URS 135x15R-C	136.1	133.6	280	370	2	28	120	286	15	254	180
	20	5	2096	9388	0.8	0.79	0.07	110	112	254,349	1,058,803	82,646	206	44	URS 135x20R-C	136.4	133.1	280	370	2	28	120	286	15	254	180
	25	5	2119	9354	0.8	0.79	0.07	110	112	254,349	1,058,803	82,646	218	54	URS 135x25R-C	136.7	132.6	280	370	2	28	120	286	15	254	180
	30	5	2148	9409	0.8	0.79	0.07	110	112	254,349	1,058,803	82,646	231	63	URS 135x30R-C	137	132.1	280	370	2	28	120	286	15	254	180
	35	5	2148	9286	0.8	0.79	0.07	110	112	254,349	1,058,803	82,646	243	72	URS 135x35R-C	137.3	131.6	280	370	2	28	120	286	15	254	180
	40	5	2157	9252	0.8	0.79	0.1	110	112	254,349	1,058,803	82,646	265	85	URS 135x40R-C	137.6	131.1	280	370	2	28	120	286	15	254	180
150	50	5	2168	9184	0.79	0.79	0.1	110	112	254,349	1,058,803	82,646	289	103	URS 135x50R-C	138.2	130	280	370	2	28	120	286	15	254	180
	15	5	2424	11989	0.8	0.79	0.07	166	138	387,668	2,162,323	140,806	248	39	URS 150x15R-C	151.1	148.6	320	412	3	32	160	327	15	280	200
	20	5	2475	12051	0.8	0.79	0.07	166	138	387,668	2,162,323	140,806	264	49	URS 150x20R-C	151.4	148.1	320	412	3	32	160	327	15	280	200
	25	5	2503	12013	0.8	0.79	0.07	166	138	387,668	2,162,323	140,806	279	59	URS 150x25R-C	151.7	147.6	320	412	3	32	160	327	15	280	200
	30	5	2511	11875	0.8	0.79	0.07	166	138	387,668	2,162,323	140,806	295	70	URS 150x30R-C	152.1	147.1	320	412	3	32	160	327	15	280	200
	35	5	2554	12037	0.8	0.79	0.07	166	138	387,668	2,162,323	140,806	311	80	URS 150x35R-C	152.4	146.6	320	412	3	32	160	327	15	280	200
180	40	5	2553	11899	0.8	0.79	0.1	166	138	387,668	2,162,322	140,806	338	94	URS 150x40R-C	152.7	146.1	320	412	3	32	160	327	15	280	200
	50	5	2569	11823	0.8	0.79	0.1	166	138	387,668	2,162,322	140,806	370	115	URS 150x50R-C	153.2	145	320	412	3	32	160	327	15	280	200
	20	5	3497	20308	0.8	0.79	0.07	323	198	803,868	6,291,319	384,142	417	59	URS 180x20R-C	181.4	178.2	390	528	3	32	160	397	20	345	240
	30	5	3572	20213	0.8	0.79	0.07	323	198	803,868	6,291,319	384,142	469	84	URS 180x30R-C	182.1	177.2	390	528	3	32	160	397	20	345	240
210	40	5	3620	20118	0.8	0.79	0.1	323	198	803,868	6,291,319	384,142	540	113	URS 180x40R-C	182.7	176.2	390	528	3	32	160	397	20	345	240
	50	5	3710	20512	0.8	0.79	0.1	323	198	803,868	6,291,319	384,142	592	137	URS 180x50R-C	183.3	175.1	390	528	3	32	160	397	20	345	240
	30	5	4174	25433	0.8	0.79	0.07	428	270	1,489,264	10,292,311	768,311	586	98	URS 210x30R-C	212.1	207.2	440	570	3	40	200	450	20	398	280
	40	5	4218	25183	0.8	0.79	0.1	428	270	1,489,264	10,292,310	768,311	677	131	URS 210x40R-C	212.8	206.2	440	570	3	40	200	450	20	398	280
	50	5	4243	24933	0.8	0.79	0.1	428	270	1,489,264	10,292,310	768,311	744	160	URS 210x50R-C	213.4	205.2	440	570	3	40	200	450	20	398	280

Ultra-High Capacity Roller Screws with Flanged Nut

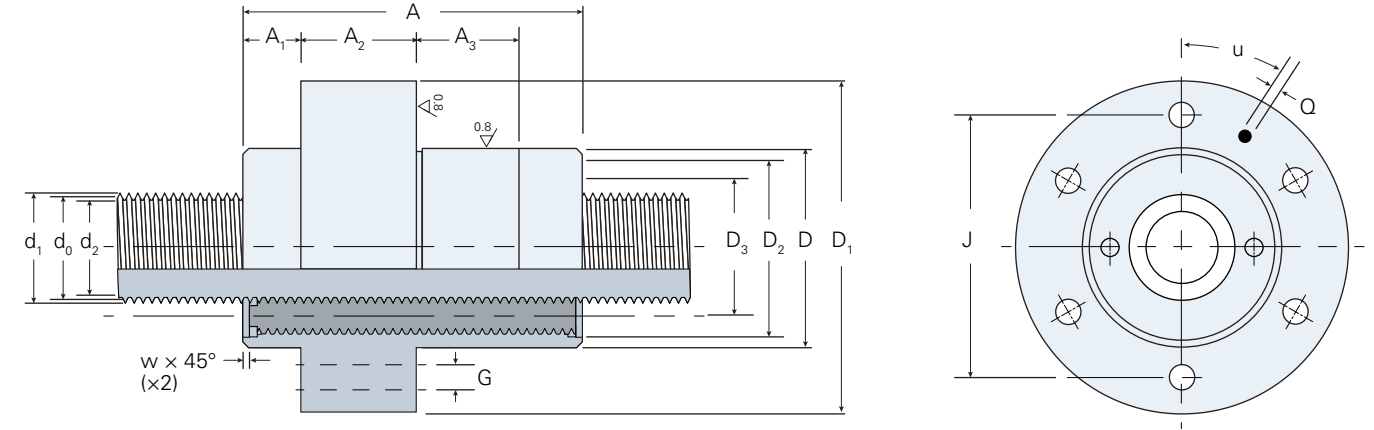
ø60 – ø111 mm



d ₀ (mm)	P _h (mm)	N (mm)	C _a (kN)	C _{0a} (kN)	η	η'	S ₀	T ₀ (Nm)	m ⁿ (kg)	m _s (kg/m)	I _s (kgmm ² /m)	I _{nn} (kgmm ²)	I _{ns}	Z _n (mL)	Z _s (mL/m)	d ₁ (mm)	d ₂ (mm)	D _{g6/H7} (mm)	D ₁ (mm)	A _{h12} (mm)	A ₁ (mm)	A ₁ (mm)	A ₂ (mm)	A ₃ (mm)	J (mm)	G (mm)	w (mm)	Q (mm)	D ₂ (mm)	D ₃ (mm)	u
60	15	5	766	1927	0.8	0.79	0.07	11	22	9,924	26,684	1,458	34	16	URS 60x15 R-F/P	61	58.5	122	166	171	70.5	25	30	40	146	8xØ13.5	1	M8x1	110	80	22.5°
	20	5	763	1892	0.8	0.79	0.07	11	22	9,924	26,684	1,458	37	20	URS 60x20 R-F/P	61.3	58	122	166	171	70.5	25	30	40	146	8xØ13.5	1	M8x1	110	80	22.5°
	25	5	725	1742	0.79	0.79	0.07	11	22	9,924	26,607	1,382	38	24	URS 60x25 R-F/P	61.5	57.5	122	166	171	70.5	25	30	40	146	8xØ13.5	1	M8x1	110	80	22.5°
	30	5	733	1764	0.79	0.79	0.07	11	22	9,924	26,607	1,382	40	28	URS 60x30 R-F/P	61.8	56.9	122	166	171	70.5	25	30	40	146	8xØ13.5	1	M8x1	110	80	22.5°
75	15	5	997	3195	0.8	0.79	0.07	20	34	24,229	64,816	4,538	51	20	URS 75x15 R-F/P	76	73.6	150	195	213	89	30	35	40	174	12xØ13.5	1	M8x1	138	100	15°
	20	5	1009	3176	0.8	0.79	0.07	20	34	24,229	64,816	4,538	55	25	URS 75x20 R-F/P	76.3	73.1	150	195	213	89	30	35	40	174	12xØ13.5	1	M8x1	138	100	15°
	25	5	1026	3207	0.8	0.79	0.07	20	34	24,229	64,816	4,538	59	30	URS 75x25 R-F/P	76.6	72.5	150	195	213	89	30	35	40	174	12xØ13.5	1	M8x1	138	100	15°
	30	5	1019	3137	0.79	0.79	0.07	20	34	24,229	64,816	4,538	63	35	URS 75x30 R-F/P	76.9	72	150	195	213	89	30	35	40	174	12xØ13.5	1	M8x1	138	100	15°
87	15	5	1204	4226	0.8	0.79	0.07	29	46	43,870	109,670	9,540	70	23	URS 87x15 R-F/P	88	85.6	175	200	245	102.5	35	40	40	200	12xØ13.5	1.5	M8x1	162	116	15°
	20	5	1219	4203	0.8	0.79	0.07	29	46	43,870	109,670	9,540	75	29	URS 87x20 R-F/P	88.4	85.1	175	200	245	102.5	35	40	40	200	12xØ13.5	1.5	M8x1	162	116	15°
	25	5	1246	4268	0.8	0.79	0.07	29	46	43,870	109,670	9,540	80	35	URS 87x25 R-F/P	88.6	84.6	175	200	245	102.5	35	40	40	200	12xØ13.5	1.5	M8x1	162	116	15°
	30	5	1235	4159	0.8	0.79	0.07	29	46	43,870	109,670	9,540	86	41	URS 87x30 R-F/P	88.9	84	175	200	245	102.5	35	40	40	200	12xØ13.5	1.5	M8x1	162	116	15°
99	15	5	1436	5499	0.8	0.79	0.07	46	60	73,559	257,641	18,192	91	26	URS 99x15 R-F/P	100.1	97.6	200	245	280	115	40	50	40	224	12xØ13.5	1.5	M8x1	182	132	15°
	20	5	1462	5507	0.8	0.79	0.07	46	60	73,559	257,641	18,192	98	33	URS 99x20 R-F/P	100.4	97.1	200	245	280	115	40	50	40	224	12xØ13.5	1.5	M8x1	182	132	15°
	25	5	1475	5482	0.8	0.79	0.07	46	60	73,559	257,641	18,192	104	39	URS 99x25 R-F/P	100.7	96.6	200	245	280	115	40	50	40	224	12xØ13.5	1.5	M8x1	182	132	15°
	30	5	1496	5523	0.8	0.79	0.07	46	60	73,559	257,641	18,192	111	46	URS 99x30 R-F/P	101	96.1	200	245	280	115	40	50	40	224	12xØ13.5	1.5	M8x1	182	132	15°
	35	5	1513	5564	0.8	0.79	0.07	46	60	73,559	257,641	18,192	118	53	URS 99x35 R-F/P	101.2	95.5	200	245	280	115	40	50	40	224	12xØ13.5	1.5	M8x1	182	132	15°
111	15	5	1609	6494	0.8	0.79	0.07	68	75	116,248	518,585	31,164	114	29	URS 111x15 R-F/P	112.1	109.6	230	286	300	125	50	50	40	260	12xØ17.5	1.5	M12x1.75	210	148	15°
	20	5	1620	6392	0.8	0.79	0.07	68	75	116,248	518,585	31,164	122	36	URS 111x20 R-F/P	112.4	109.1	230	286	300	125	50	50	40	260	12xØ17.5	1.5	M12x1.75	210	148	15°
	25	5	1653	6475	0.8	0.79	0.07	68	75	116,248	518,585	31,164	130	44	URS 111x25 R-F/P	112.7	108.6	230	286	300	125	50	50	40	260	12xØ17.5	1.5	M12x1.75	210	148	15°
	30	5	1658	6410	0.8	0.79	0.07	68	75	116,248	518,585	31,164	139	52	URS 111x30 R-F/P	113	108.1	230	286	300	125	50	50	40	260	12xØ17.5	1.5	M12x1.75	210	148	15°
	35	5	1690	6530	0.8	0.79	0.07	68	75	116,248	518,585	31,164	147	59	URS 111x35 R-F/P	113.3	107.6	230	286	300	125	50	50	40	260	12xØ17.5	1.5	M12x1.75	210	148	15°

Ultra-High Capacity Roller Screws with Flanged Nut

ø120 – ø210 mm



d ₀ (mm)	P _h (mm)	N (mm)	C _a (kN)	C _{0a} (kN)	η	η'	S ₀	T ₀ (Nm)	m ⁿ (kg)	m _s (kg/m)	I _s (kgmm ² /m)	I _{nn} (kgmm ²)	I _{ns}	Z _n (mL)	Z _s (mL/m)	d ₁ (mm)	d ₂ (mm)	D _{g6/H7} (mm)	D ₁ (mm)	A _{h12} (mm)	A ₁ (mm)	A ₁ (mm)	A ₂ (mm)	A ₃ (mm)	J (mm)	G (mm)	w (mm)	Q (mm)	D ₂ (mm)	D ₃ (mm)	u
120	15	5	1924	8526	0.8	0.79	0.07	82	88	158,789	649,761	48,719	133	31	URS 120x15 R-F/P	121.1	118.6	240	296	346	137.5	50	55	60	270	12xØ17.5	1.5	M12x1.75	220	160	15°
	20	5	1953	8495	0.8	0.79	0.07	82	88	158,789	649,761	48,719	144	39	URS 120x20 R-F/P	121.4	118.1	240	296	346	137.5	50	55	60	270	12xØ17.5	1.5	M12x1.75	220	160	15°
	25	5	1967	8423	0.8	0.79	0.07	82	88	158,789	649,761	48,719	155	48	URS 120x25 R-F/P	121.7	117.6	240	296	346	137.5	50	55	60	270	12xØ17.5	1.5	M12x1.75	220	160	15°
	30	5	1988	8433	0.8	0.79	0.07	82	88	158,789	649,761	48,719	166	56	URS 120x30 R-F/P	122	117.1	240	296	346	137.5	50	55	60	270	12xØ17.5	1.5	M12x1.75	220	160	15°
	35	5	2024	8564	0.8	0.79	0.07	82	88	158,789	649,761	48,719	176	64	URS 120x35 R-F/P	122.3	116.6	240	296	346	137.5	50	55	60	270	12xØ17.5	1.5	M12x1.75	220	160	15°
	40	5	2031	8532	0.8	0.79	0.1	82	88	158,789	649,761	48,719	196	75	URS 120x40 R-F/P	122.6	116	240	296	346	137.5	50	55	60	270	12xØ17.5	1.5	M12x1.75	220	160	15°
135	15	5	2059	9377	0.8	0.79	0.07	123	112	254,349	1,383,766	82,646	173	35	URS 135x15 R-F/P	136.1	133.6	280	345	370	155	60	60	80	315	12xØ20	2	M12x1.75	254	180	15°
	20	5	2096	9388	0.8	0.79	0.07	123	112	254,349	1,383,766	82,646	185	44	URS 135x20 R-F/P	136.4	133.1	280	345	370	155	60	60	80	315	12xØ20	2	M12x1.75	254	180	15°
	25	5	2119	9354	0.8	0.79	0.07	123	112	254,349	1,383,766	82,646	197	54	URS 135x25 R-F/P	136.7	132.6	280	345	370	155	60	60	80	315	12xØ20	2	M12x1.75	254	180	15°
	30	5	2148	9409	0.8	0.79	0.07	123	112	254,349	1,383,766	82,646	209	63	URS 135x30 R-F/P	137	132.1	280	345	370	155	60	60	80	315	12xØ20	2	M12x1.75	254	180	15°
	35	5	2148	9286	0.8	0.79	0.07	123	112	254,349	1,383,766	82,646	221	72	URS 135x35 R-F/P	137.3	131.6	280	345	370	155	60	60	80	315	12xØ20	2	M12x1.75	254	180	15°
	40	5	2157	9252	0.8	0.79	0.1	123	112	254,349	1,383,766	82,646	243	85	URS 135x40 R-F/P	137.6	131.1	280	345	370	155	60	60	80	315	12xØ20	2	M12x1.75	254	180	15°
150	50	5	2168	9184	0.79	0.79	0.1	123	112	254,349	1,383,766	82,646	268	103	URS 135x50 R-F/P	138.2	130	280	345	370	155	60	60	80	315	12xØ20	2	M12x1.75	254	180	15°
	15	5	2424	11989	0.8	0.79	0.07	183	138	387,668	2,713,467	140,806	210	39	URS 150x15 R-F/P	151.1	148.6	320	385	412	171	65	70	80	355	12xØ20	3	M12x1.75	280	200	15°
	20	5	2475	12051	0.8	0.79	0.07	183	138	387,668	2,713,467	140,806	225	49	URS 150x20 R-F/P	151.4	148.1	320	385	412	171	65	70	80	355	12xØ20	3	M12x1.75	280	200	15°
	25	5	2503	12013	0.8	0.79	0.07	183	138	387,668	2,713,467	140,806	241	59	URS 150x25 R-F/P	151.7	147.6	320	385	412	171	65	70	80	355	12xØ20	3	M12x1.75	280	200	15°
	30	5	2511	11875	0.8	0.79	0.07	183	138	387,668	2,713,467	140,806	256	70	URS 150x30 R-F/P	152.1	147.1	320	385	412	171	65	70	80	355	12xØ20	3	M12x1.75	280	200	15°
	35	5	2554	12037	0.8	0.79	0.07	183	138	387,668	2,713,467	140,806	272	80	URS 150x35 R-F/P	152.4	146.6	320	385	412	171	65	70	80	355	12xØ20	3	M12x1.75	280	200	15°
180	40	5	2553	11899	0.8	0.79	0.1	183	138	387,668	2,713,467	140,806	300	94	URS 150x40 R-F/P	152.7	146.1	320	385	412	171	65	70	80	355	12xØ20	3	M12x1.75	280	200	15°
	50	5	2569	11823	0.8	0.79	0.1	183	138	387,668	2,713,467	140,806	331	115	URS 150x50 R-F/P	153.2	145	320	385	412	171	65	70	80	355	12xØ20	3	M12x1.75	280	200	15°
	20	5	3497	20308	0.8	0.79	0.07	357	198	803,868	7,762,604	264,492	355	59	URS 180x20 R-F/P	181.4	178.2	390	470	528	219	96	90	100	433	12xØ24	3	M12x1.75	345	240	15°
	30	5	3572	20213	0.8	0.79	0.07	357	198	803,868	7,762,604	264,492	406	84	URS 180x30 R-F/P	182.1	177.2	390	470	528	219	96	90	100	433	12xØ24	3	M12x1.75	345	240	15°
210	40	5	3620	20118	0.8	0.79	0.1	357	198	803,868	7,762,604	264,492	477	113	URS 180x40 R-F/P	182.7	176.2	390	470	528	219	96	90	100	433	12xØ24	3	M12x1.75	345	240	15°
	50	5	3710	20512	0.8	0.79	0.1	357	198	803,868	7,762,604	264,492	530	137	URS 180x50 R-F/P	183.3	175.1	390	470	528	219	96	90	100	433	12xØ24	3	M12x1.75	345	240	15°
	30	5	4174	25433	0.8	0.79	0.07	477	270	1,489,264	12,927,862	526,529	514	98	URS 210x30 R-F/P	212.1	207.2	440	530	570	235	100	100	100	490	12xØ26	3	M12x1.75	398	280	15°
	40	5	4218	25183	0.8	0.79	0.1	477	270	1,489,264	12,927,861	526,529	605	131	URS 210x40 R-F/P	212.8	206.2	440	530	570	235	100	100	100	490	12xØ26	3	M12x1.75	398	280	15°
	50	5	4243	24933	0.8	0.79	0.1	477	270	1,489,264	12,927,861	526,529	672	160	URS 210x50 R-F/P	213.4	205.2	440	530	570	235	100	100	100	490	12xØ26	3	M12x1.75	398	280	15°



23200 Commerce Park Road
Beachwood, Ohio 44122 USA
sales@helixlinear.com
216-485-2232

helixlinear.com