

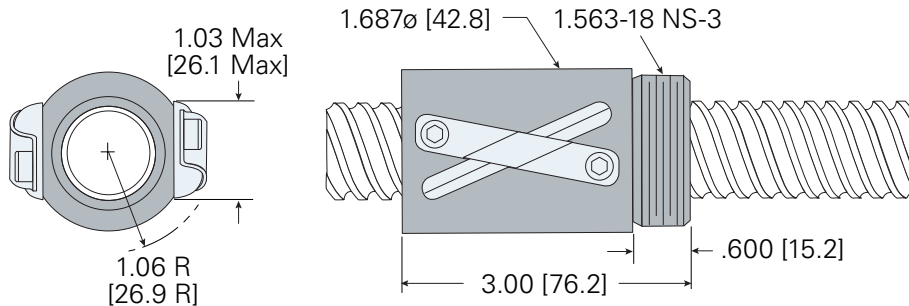
# Precision Rolled Ball Screws

## Double Circuit Ball Nut (Alloy Steel)



1.000" diameter × 1.000" lead

Ball Nut Part Number: **HBN1102**  
 Helix: **RH**  
 Dynamic Load: **2,148 lb**  
 Static Load: **11,931 lb**  
 Balls per Circuit/Nut: **50/100**  
 Nominal Ball Diameter: **.156"**  
 Torque to Raise 1 lb: **0.177 in/lb**  
 Nut Weight: **1.12 lb**

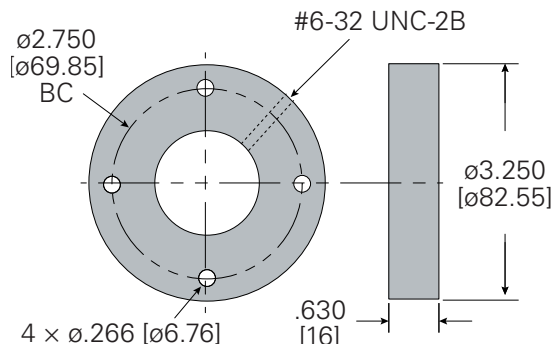


Ball Screw	
<i>four start</i>	
Ball Screw Part Number:	<b>0024</b>
Ball Circle Diameter:	<b>1.000"</b>
Lead:	<b>1.000"</b>
Root Diameter:	<b>.820"</b>
Screw Weight:	<b>2.22 (lb/ft)</b>

Standard Screw Lengths			
<i>Custom cut lengths available up to 12'</i>			
Length	Part Number	Length	Part Number
2'	<b>CLB1124</b>	8'	<b>CLB1196</b>
4'	<b>CLB1148</b>	12'	<b>CLB811144</b>
6'	<b>CLB1172</b>		

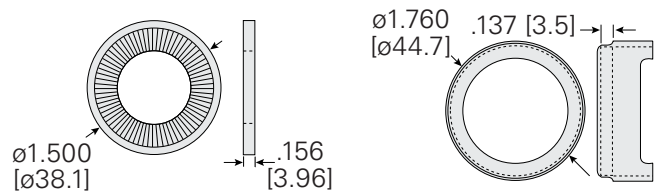
### Flange

*RFL1000 (alloy)*



### Wiper Kit

*(two wipers, one retainer)*  
*BWS100*



Contact a Helix sales engineer:  
[sales@helixlinear.com](mailto:sales@helixlinear.com)  
 216-485-2232