

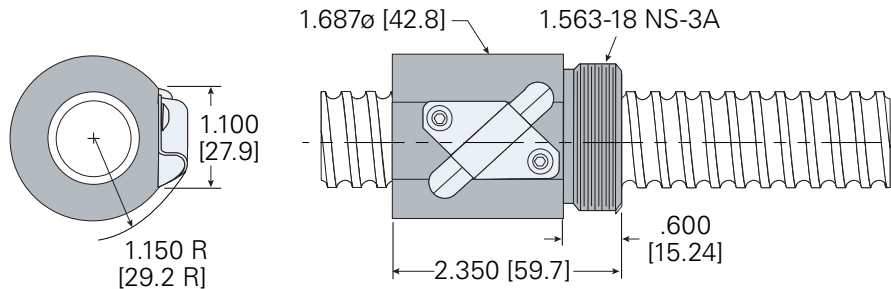
# Precision Rolled Ball Screws

## Single Circuit Ball Nut (Alloy Steel)



1.000" diameter x .250" lead

Ball Nut Part Number: **HBN1001**  
 Helix: **RH**  
 Dynamic Load: **1,615 lb**  
 Static Load: **13,915 lb**  
 Balls per Circuit/Nut: **86/86**  
 Nominal Ball Diameter: **.156"**  
 Torque to Raise 1 lb: **0.044 in/lb**  
 Nut Weight: **0.80 lb**

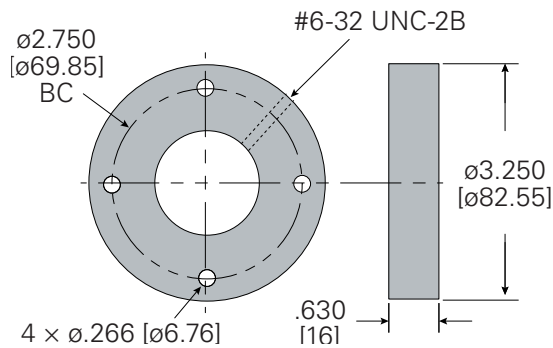


Ball Screw	
<i>single start</i>	
Ball Screw Part Number:	<b>0022</b>
Ball Circle Diameter:	<b>1.000"</b>
Lead:	<b>.250"</b>
Root Diameter:	<b>.820"</b>
Screw Weight:	<b>1.22 (lb/ft)</b>

Standard Screw Lengths			
<i>Custom cut lengths available up to 12'</i>			
Length	Part Number	Length	Part Number
2'	<b>CLB1024</b>	8'	<b>CLB1096</b>
4'	<b>CLB1048</b>	12'	<b>CLB10144</b>
6'	<b>CLB1072</b>		

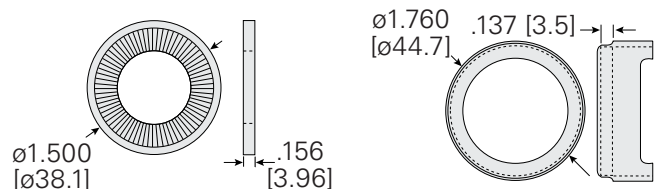
### Flange

*RFL1000 (alloy)*



### Wiper Kit

*(two wipers, one retainer)*  
*BWS100*



Contact a Helix sales engineer:

sales@helixlinear.com  
 216-485-2232

helixlinear.com